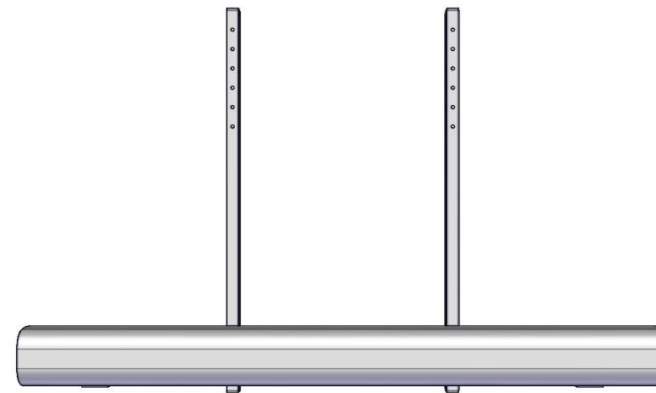
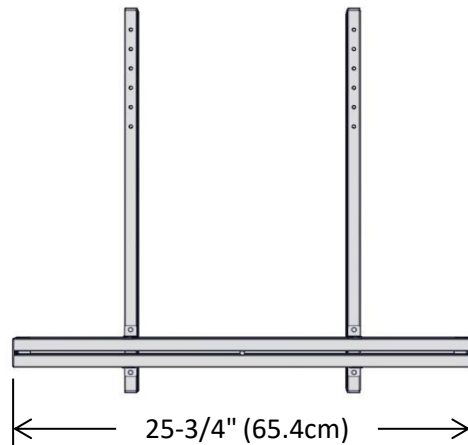


## iRover<sup>2</sup>™ for Interactive Flat Panels - Soundbar Mount Compatibility Chart

Model: IFP-ACS



*(shown with AMP37 installed)*

**Unit Compatibility:** iRover2™ for Interactive Flat Panels (IFP500)

*\*Please note this mount is not supported on the older IFP300 cart.*

**Soundbar Mounting Screw Spacing:** Up to 25-3/4" (65.4cm)

*\*This mount uses your soundbar's wallmounting screw holes.*

**Soundbar Maximum Weight:** 10lbs (4.5kg)

**Supplied Screw Sizes:** M5x30mm, M5x35mm, M6x30mm, M6x35mm

*\*Note your soundbar gets mounted through a 3/4" (19mm) tube, hence the long screw sizes.*

**Examples of Supported Soundbars:** Saros® Sound Bar 200 (SB-200-P)

Hamilton Buhl Amplitude™ 37" Bluetooth® HD Sound Bar (AMP37)

JBL® Pro Soundbar (PSB-1)