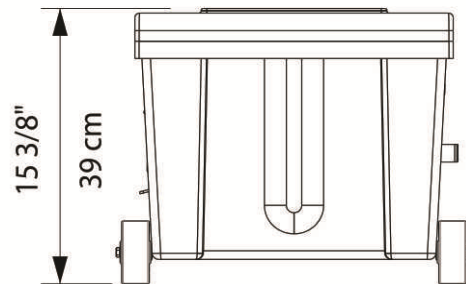
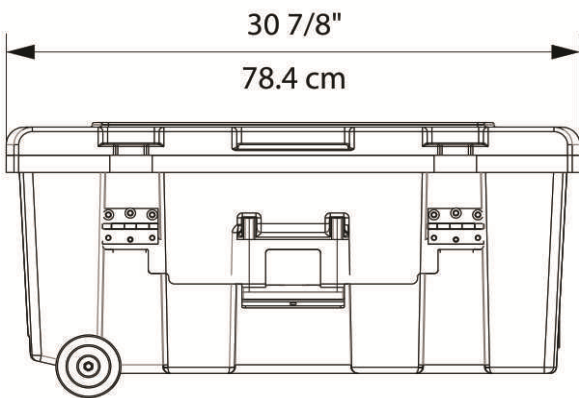
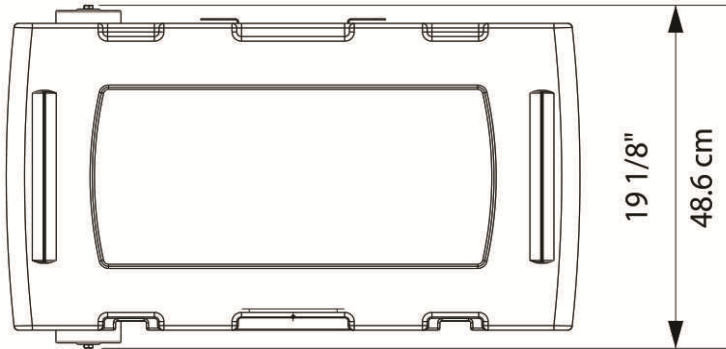


**VR Storage Tub – holds 10 all-in-one headsets**

Model: VRT101



**VR Storage Tub – holds 10 all-in-one headsets**

Model: VRT101

**Warranty:**

5 year tub warranty  
 1 year electrical components

**Physical Specifications:**

**Tub Dimensions**

30 7/8" L x 19 1/8" W x 15 3/8" H  
 78.4 cm x 48.6 cm x 39 cm

**Material**

Polypropylene - Black lid, base, wheels  
 Galvanized Steel latches  
 Polyurethane Foam  
 Nylon webbing handle

**VR Storage Tub – holds 10 all-in-one headsets**

Model: VRT101

**Carton Size & Weights:**

	Part No.	Carton Size (outer dimensions)	Weight	Volume (ft³)	Dim. Weight (lbs)
<b>VR Storage Tub – holds 10 all-in-one headsets</b>	VRT101	34 1/2" H x 20" W x 20" D (87.6 cm H x 50.8 cm W x 50.8 cm D)	27 lb (12.3 kg)	7.99	71

**Copernicus Educational Products**

USA | P.O. Box 248 | Buffalo, NY | 14225  
 CANADA: R.R. #3, 8194 County Road 109 | Arthur, ON | N0G 1A0  
 P 1 800 267 8494 | E info@copernicused.com

Copernicus Educational Products is not responsible for printing errors. Copernicus reserves the right to change or modify pricing and products specifications with or without prior notification. Illustrations and descriptions may not be exactly as shown. No part may be reproduced by any means without prior authorization of Copernicus Educational Products Inc. All rights reserved. 2015 ©