

DIV-U

# U-Shaped Clear Dry-Erase Divider Kit



## Assembly Guide DIV-U\_2020\_A

Check out our other products online at  
[www.copernicused.com](http://www.copernicused.com)

For assistance, please contact us:

**1-800-267-8494**

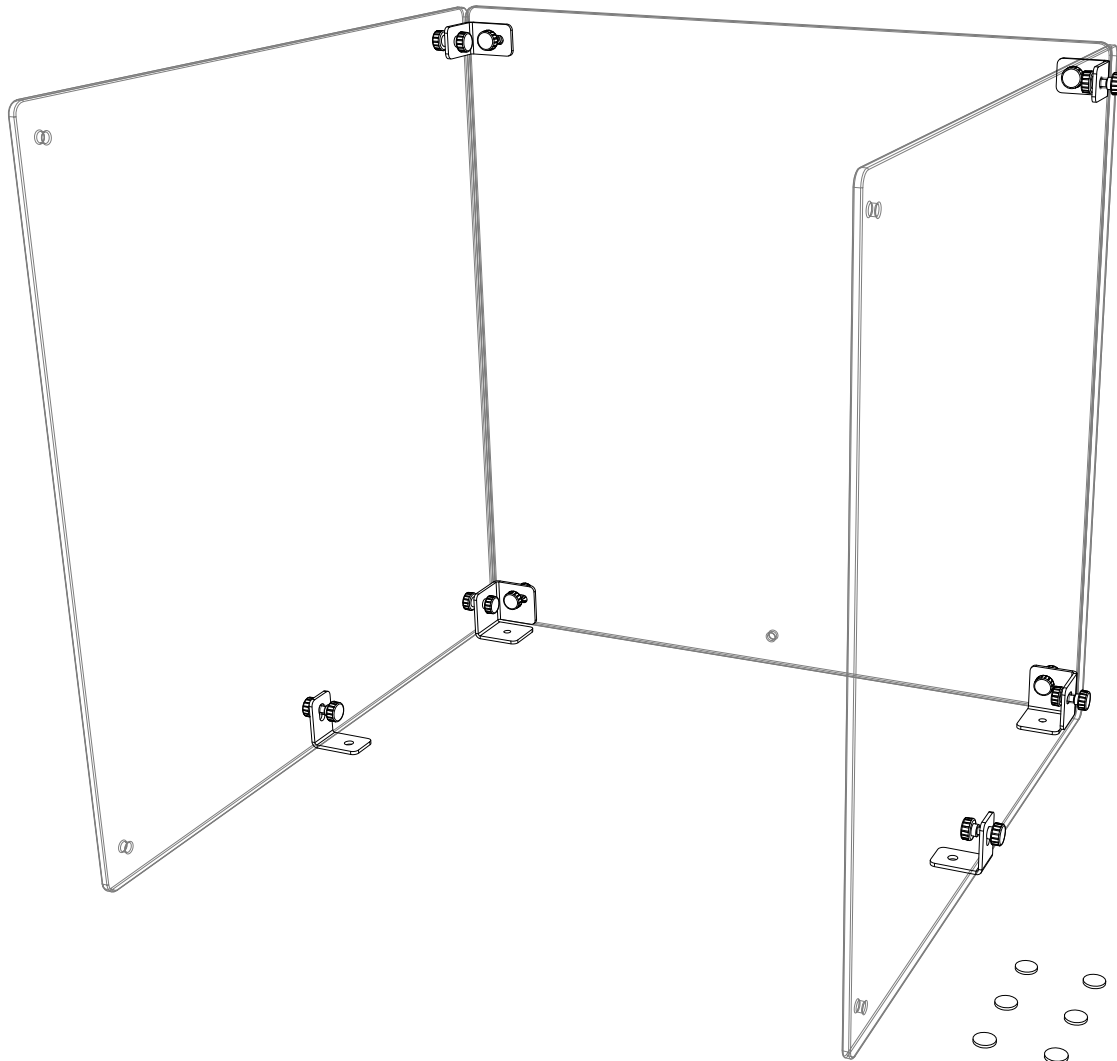
Email [info@copernicused.com](mailto:info@copernicused.com)

**Have your packing slip ready for reference**

## WARNING



- This product is meant to be assembled by an adult.
- In its unassembled state, small parts present a hazard.
- To be used under direct supervision of an adult.



**Please Recycle**

DIV-U

# U-Shaped Clear Dry-Erase Divider Kit



## Assembly Guide DIV-U\_2020\_A

Check out our other products online at  
[www.copernicused.com](http://www.copernicused.com)

For assistance, please contact us:

**1-800-267-8494**

Email [info@copernicused.com](mailto:info@copernicused.com)

**Have your packing slip ready for reference**

Dear Educator,

Thank you for purchasing the U-Shaped Clear Dry-Erase Divider Kit. We hope it meets all your expectations and you and your students enjoy using it in your school.

If you have any questions, concerns or ideas on how we can improve please let us know by contacting our Customer Solutions Ninjas at 1-800-267-8494 or [info@copernicused.com](mailto:info@copernicused.com).

Happy teaching,

Kaylyn Belcourt  
President

**Life Time**  
Bracket  
Warranty

**2 Year**  
Acrylic  
Warranty

## Validate Your Warranty On-Line

To validate your warranty submit the ON-LINE form at [www.copernicused.com](http://www.copernicused.com)

## Customer Service - FAQ's



### For missing parts and other issues regarding your product:

Please call Copernicus Customer Service, where we will be happy to help.  
1-800-267-8494. Monday - Friday 8:00am - 4:30 pm EST.

Check out some of our  
other great products!



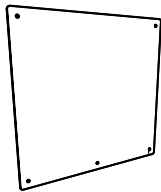
[www.copernicused.com](http://www.copernicused.com)

DIV-U

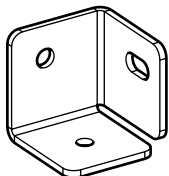
# U-shaped Clear Dry-Erase Divider Kit

### Contents - Box 1

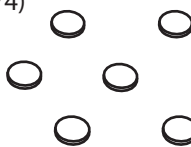
Acrylic Panel  
(230135)  
**3x**



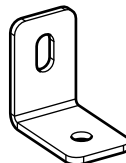
Corner Bracket  
(34102)  
**2x**



Adhesive Non-slip Pads  
(420074)  
**6x**



L Bracket  
(34103)  
**4x**



In Box 1

### Hardware Actual Size

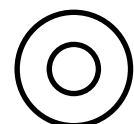
(A) M6 x 15mm Thumb Screw  
(432702)  
**10x**



(B) M6 Thumb Nut  
(432752)  
**10x**



(C) 1/4" Flat Washer  
(43019)  
**10x**



# Tips for Assembly

## Watch for These Helpful Symbols

This symbol denotes a 2-Person Task. For safety, please ensure that there are the suggested number of people working on steps displaying this symbol.



Watch for this symbol throughout the Assembly Guide. Wherever you see it, pay close attention. The symbol denotes a step needing extra attention to ensure it is done correctly.



The star symbol highlights an advisory note.

## Before You Begin

- Lay out and identify all of the included parts.
- The hardware has been packed according to step.
- Read the assembly guide over once to familiarize yourself with them.



 Please note that in its unassembled state, this product contains parts that can be hazardous to small children. This product should be assembled by an adult.

## As You Assemble the Unit

- Follow the steps in sequence.
- Before beginning each step, find the part(s) that you need for that step.
- Pay attention to the labels on the parts; they are there to help direct you at certain stages.
- The title of each step states what you will be doing. Review the text and the pictures as you build the unit.



## Warning! Hazard Risks!

**Please read the warnings below for important safety information regarding your product. Failure to read these warnings or to follow the instructions below could result in personal injury or damage to your product that could void your warranty.**



Small Parts

In its unassembled state, this product contains parts that can be hazardous to small children. This product should be assembled by an adult.




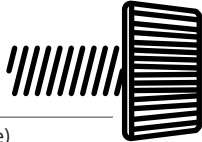

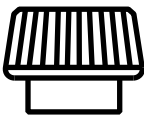

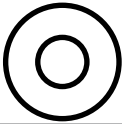
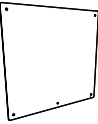
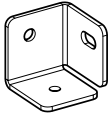
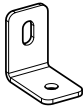
Adult Supervision

This product is to be used under the supervision of an adult.



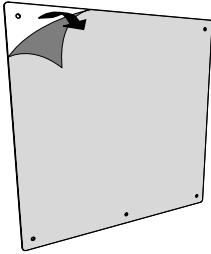
Indoor Use Only

This product is intended for indoor use only. To reduce the risk of fire or electric shock, do not expose this product to rain or moisture. The internal components are not sealed from the environment.

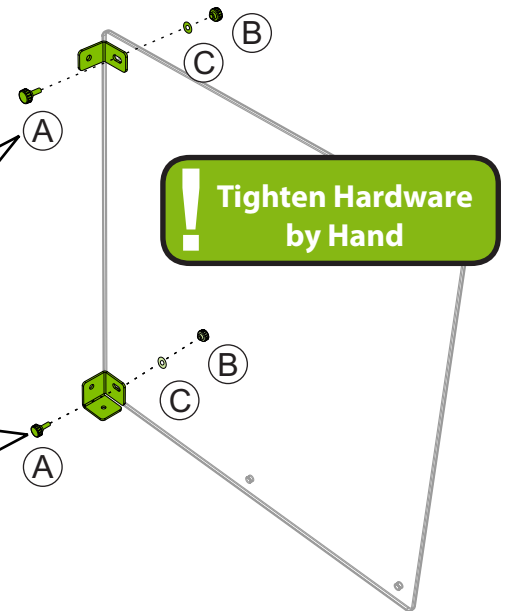
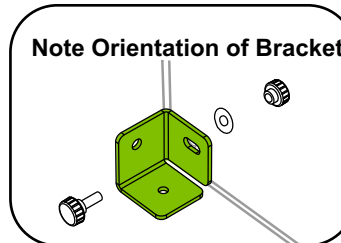
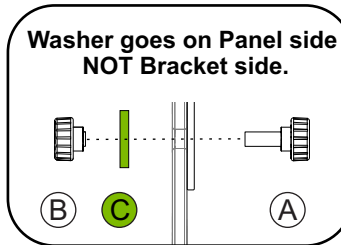
<b>1</b>	Actual Size:						
	You will need: (Not to Scale)	Acrylic Panel 1x 	Corner Bracket 1x 	L Bracket 1x 			

### Add L and Corner Bracket to First Panel


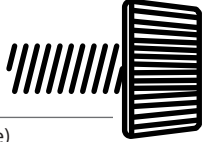

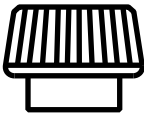

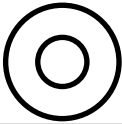
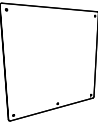
**1** Remove film from both sides of panel.



**2** Fasten panel to Brackets



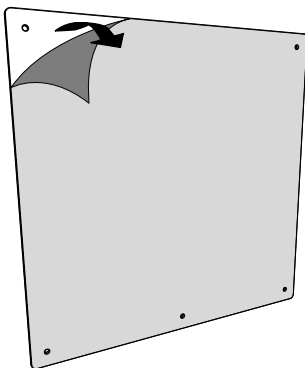
★ Check out our acrylic panel cleaning instructions at:  
[www.copernicused.com/help/tips](http://www.copernicused.com/help/tips)

<b>2</b>	Actual Size:						
	You will need: (Not to Scale)	Acrylic Panel 1x 					

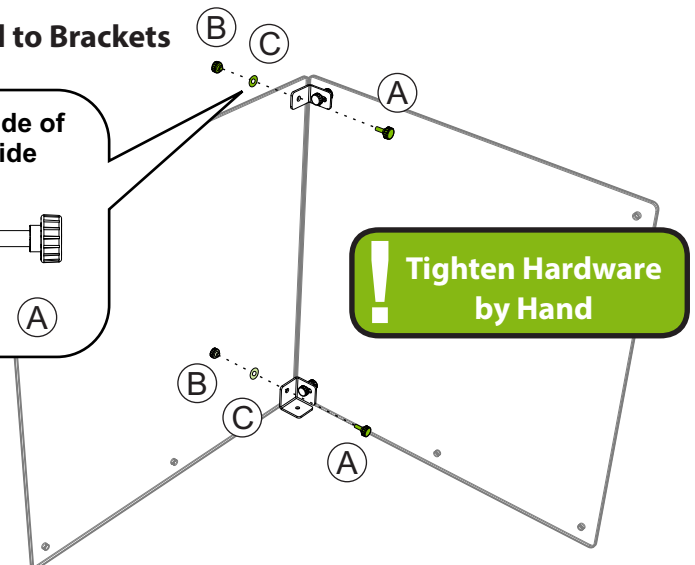
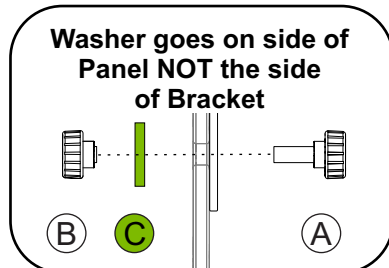


### Add second Acrylic Panel

**1** Remove film from BOTH SIDES of panel.

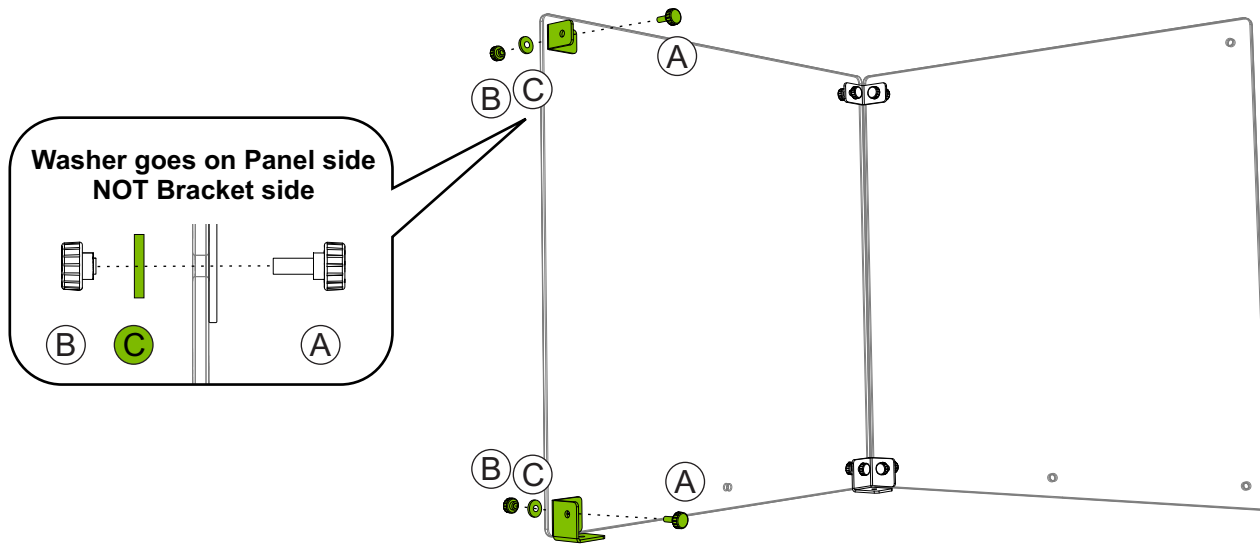


**2** Fasten panel to Brackets



3	Actual Size:	2x	2x	2x
	You will need: (Not to Scale)	1x	1x	
 <b>2-Person Task</b>				

### Add Brackets onto second Panel

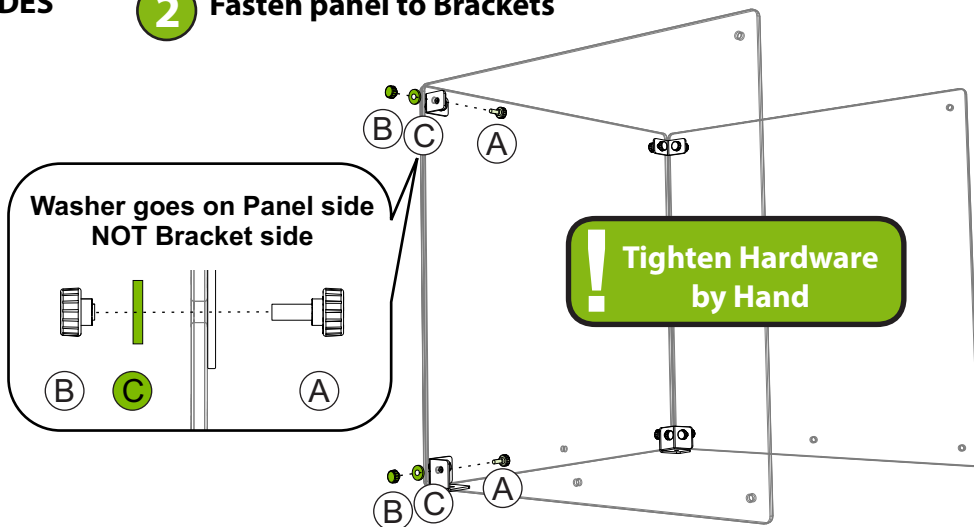
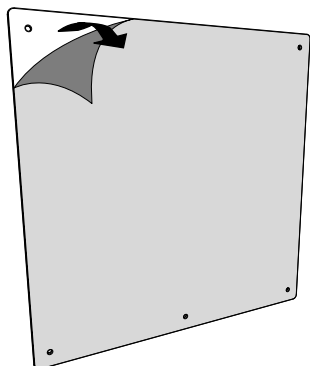


4	Actual Size:	2x	2x	2x
	You will need: (Not to Scale)	1x		
 <b>2-Person Task</b>				

### Add Third Panel

**1** Remove film from **BOTH SIDES** of panel.

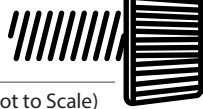
**2** Fasten panel to Brackets



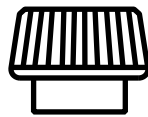
5

Actual Size:

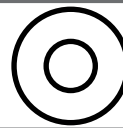
(A)  
2x



(B)  
2x



(C)  
2x



You will need: (Not to Scale)

L Bracket  
2x

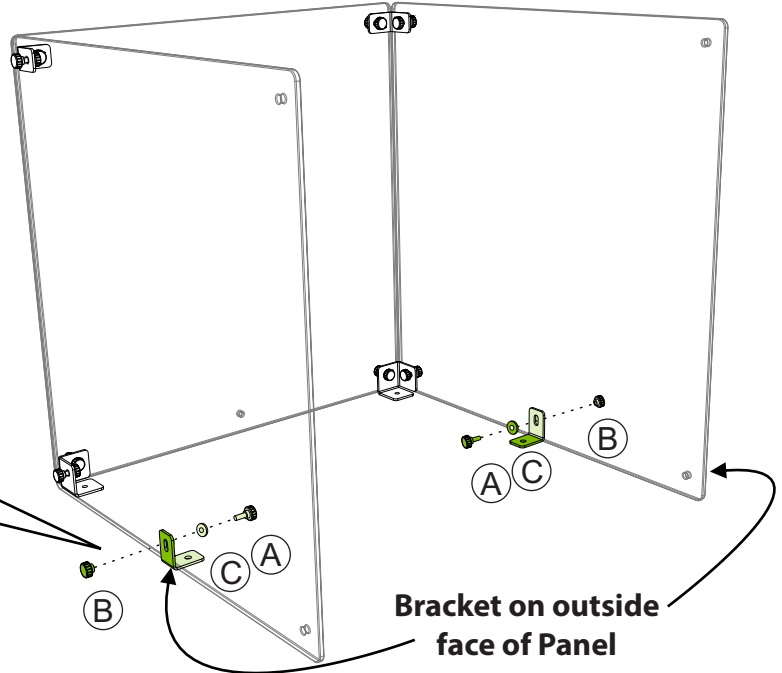
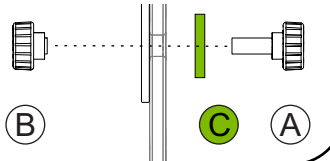


**Add L-Bracket to outer OR middle hole on each side panel.**



Choose the hole that allows both feet to rest on the table surface. If both positions work, please use the outer position

Washer goes on Panel side NOT Bracket side

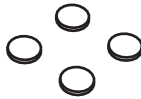


Bracket on outside face of Panel



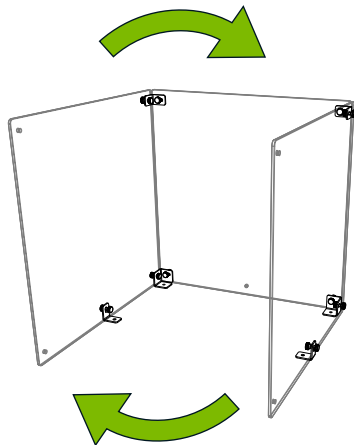
You will need: (Not to Scale)

Adhesive Non-slip Pads  
4x

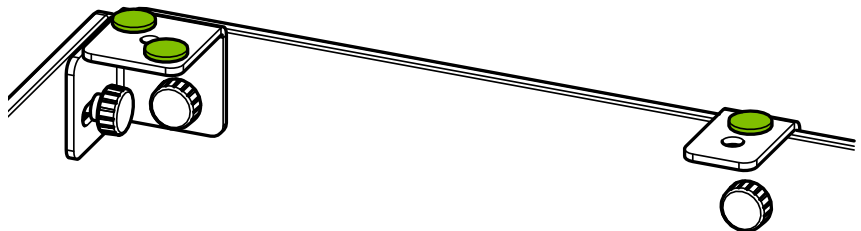


**If you ARE NOT bolting divider down, add Non-slip Adhesive Pads to bottom of Brackets**

**1 Turn Divider Upside Down**



**2 Attach Adhesive Non-slip pad to bottom of brackets**

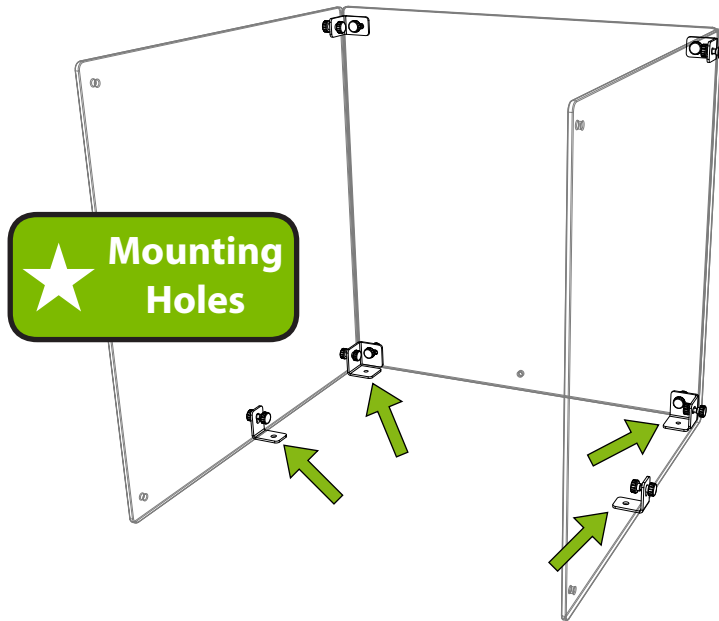




# Surface Mounting

The U-Shaped Divider can be mounted to most table/desk surfaces

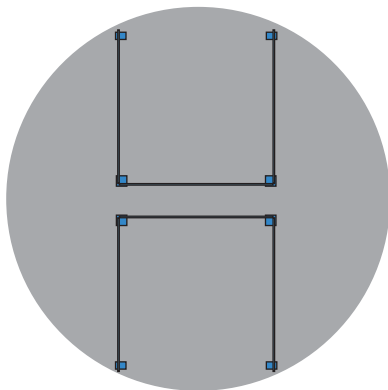
Hardware not included - ensure you choose hardware based on the surface you are mounting to



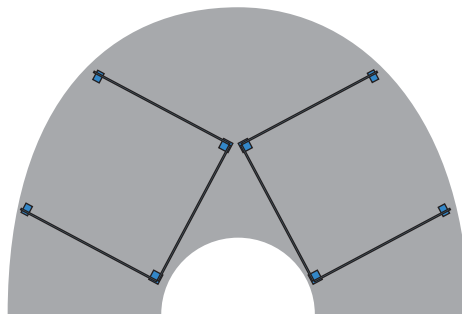
# Divider Configuration Options

The U-Shaped Divider can be used in these configurations on desks or tables.

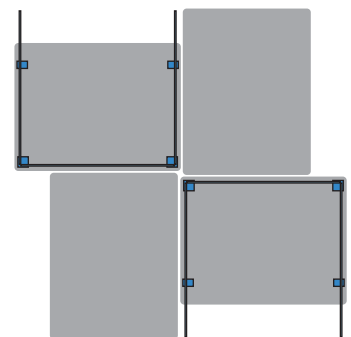
60" Round Table



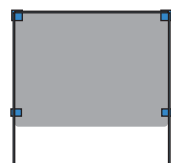
72" x 48" Kidney Table



4 Desks with 2 U-Dividers



18" x 24"



20" x 26"

