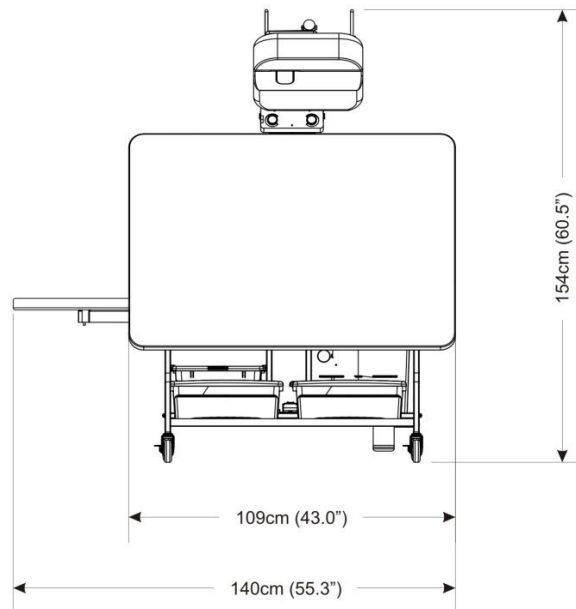
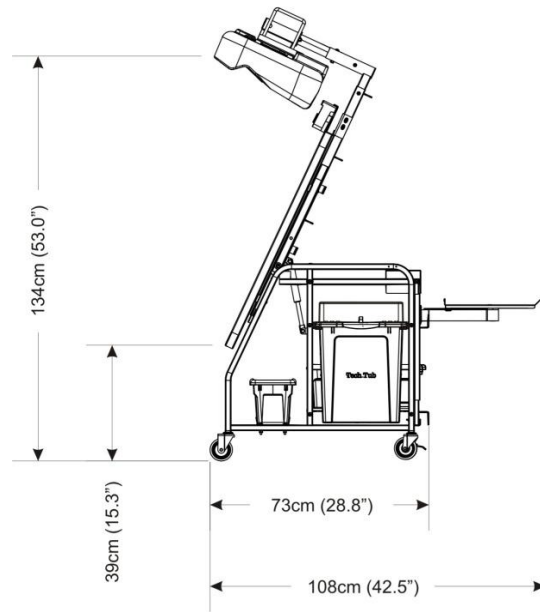


3 in 1 Interactive Easel for Primary Educational Teaching Purposes

Model: E3IN1

Easel Mode



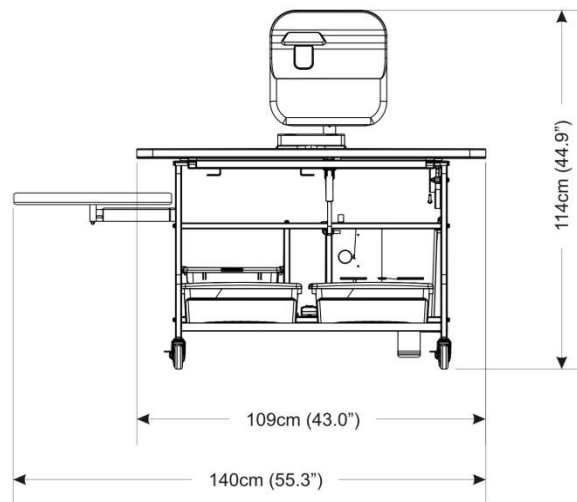
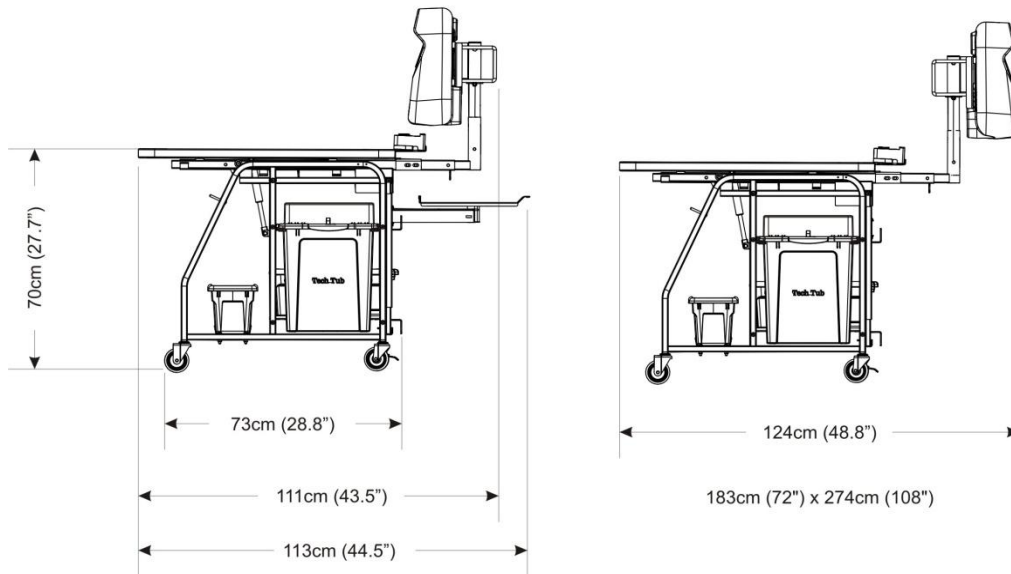
All dimensions $\pm 1/8"$ (0.3cm).
All weights ± 8 oz (250g).

3 in 1 Interactive Easel for Primary Educational Teaching Purposes

Model: E3IN1

Table Mode

Floor Mode



Dimensions apply to both Table and Floor Modes

All dimensions \pm 1/8" (0.3cm).
All weights \pm 8 oz (250g).

3 in 1 Interactive Easel for Primary Educational Teaching Purposes

Model: E3IN1

3in 1 Easel:

The unit includes main frame, durable tabletop, storage tubs and Tech Tub

Physical Specifications:

Frame Measures: 85.0cm W x 56.0cm H x 65.0cm D (33.5" W x 22.0" H x 25.6" D)

Distance from Floor to Board (Easel Mode): 39cm (15.3")

Distance from Floor to Board (Table & Floor Mode): 70cm (27.7")

Image Size (Tabletop/Easel): Ratio 16:10 - 51"

Image Size (Floor): Ratio 16:10 - 100"

Warranty Information:

Gas Cylinder: 1 year

Power Strip: 1 year

Tech Tub: Lifetime

Other Tubs: Lifetime

Frame/surfaces: 5 years

Product Features:

Swivel Projector Mount:

Projector mount swivels 180 degrees to project onto the floor. This provides a large interactive floor surface in your classroom. Please note - in floor mode it is only interactive with the pens provided with the Epson Projectors. Some compatible projectors include: 595Wi, 585Wi, 575Wi, 485Wi, 475Wi. For a complete list please refer to our compatibility chart online.

Epson Floor Mode:

Depending on how much projector zoom you are using, our diagonal image size in floor mode is 26"-71" larger than Epson's maximum recommended diagonal image size of 100". This will affect image clarity and the projected image will not be as sharp. Floor mode is best used for large scale group or gross motor activities (reading big books, drawing, interactive digital games, exploration) without highly detailed work or text. Switching your unit from table or easel mode to floor mode will take about 5 minutes and requires an image adjustment, and auto recalibration.

Durable Tabletop Surface:

This rounded edge tabletop surface was designed for use in primary grades. The surface is easily washable and can be used for various projects within the classroom when the projector is not in use. Table surface is not dry erase.

Laptop Arm:

The laptop arm swings out from the frame of the easel to provide easy access to your computer when needed. It tucks in under the tabletop within the easel frame to prevent damage. It is made of metal with powder coated finish.

Tub Frame:

Holds 2 small tubs ideal for headphone storage, 1 open tub and a base Tech Tub with pad lock.

Mobility:

4x 7.62cm (3") swivel casters, foot activated brakes only on back two casters holds unit in place when in use.

Stability:

Wide leg base of 85.0cm W x 65.0cm D (33.5" W x 25.6" D) from leg to leg adds stability to unit. When moving, weight is transferred to lowest position (board, arm, etc), making it more stable and safe to move.

Cable Management / Wire Management:

Cable management loops are provided on the back of the tabletop frame so excess cable can be wrapped around hooks. A black cable management loom is also provided to secure cables together and prevent damage.

Power Specifications:

Six right-angle NEMA 5-15R outlet powerbar included (25515). Accommodates 900 Joule energy rating, with Type3 SPD 500V (L-N)(I-G)(N-G) clamping voltage. 2.5mm (8') power cord delivers safe AC(125V 15A 60HZ) power through a 14-gauge heavy-duty cord. On/Off switch with built-in circuit breaker. Powerbar is UL and CUL approved.

Maximum Recommended Weight for Unit:

Laptop Tray:	15 lbs
Tub Frame:	5 lbs (Small Tubs each)
	10 lbs (Open Tub each)
	30 lbs (Tech Tub)
Total Weight:	65lbs

3 in 1 Interactive Easel for Primary Educational Teaching Purposes

Model: E3IN1

Estimated Carton Size & Weights:

	Part No.	Pallet Size W x D x H	Pallet Weight	Shipping Weights
Complete Unit	E3IN1	42" x 36" x 50"	25lbs	TBD

Please note:

Interactive whiteboard(s) and/or projectors are not included with any version of this product.

Copernicus Educational Products

USA | P.O. Box 248 | Buffalo, NY | 14225

CANADA: R.R. #3, 8194 County Road 109 | Arthur, ON | N0G 1A0

P 1 800 267 8494 | E info@copernicused.com

Copernicus Educational Products is not responsible for printing errors. Copernicus reserves the right to change or modify pricing and products specifications with or without prior notification. Illustrations and descriptions may not be exactly as shown. No part may be reproduced by any means without prior authorization of Copernicus Educational Products Inc. All rights reserved. 2015 ©