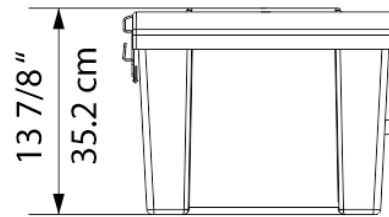
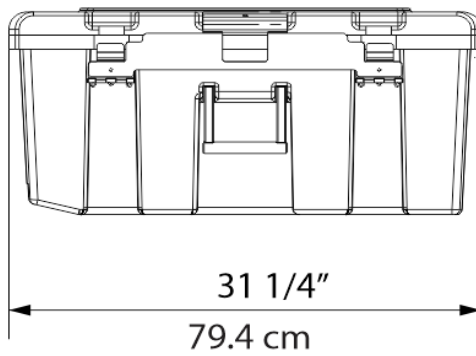
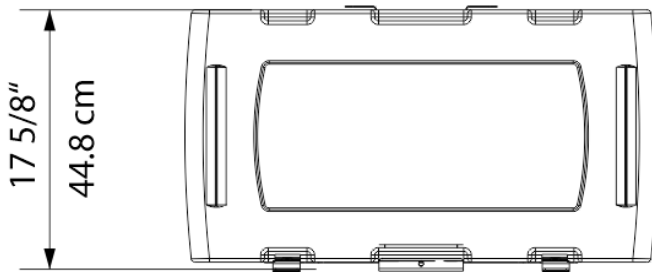


Robotics Storage - Large

Model: RS200



Robotics Storage - Large

Model: RS200

Warranty:

5 year tub warranty
 1 year electrical components

Physical Specifications:

Tub Specification

13 7/8" H x 31 1/4" W x 17 5/8" D (35.2cm H x 79.4cm W x 44.8cm D)

Carton Size & Weights:

	Part No.	Carton Size (outer dimensions)	Carton Weight (lbs)	Shipping Size (cubic feet)	Shipping Weights (lbs)
Robtoic Storage Large	RS200	20" H x 20" W x 34.5" D 51cm H x 51cm W x 88cm D	35	7.99	71

Please note:

Copernicus Educational Products

USA | P.O. Box 248 | Buffalo, NY | 14225
 CANADA: R.R. #3, 8194 County Road 109 | Arthur, ON | N0G 1A0
 P 1 800 267 8494 | E info@copernicused.com

Copernicus Educational Products is not responsible for printing errors. Copernicus reserves the right to change or modify pricing and products specifications with or without prior notification. Illustrations and descriptions may not be exactly as shown. No part may be reproduced by any means without prior authorization of Copernicus Educational Products Inc. All rights reserved. 2015 ©