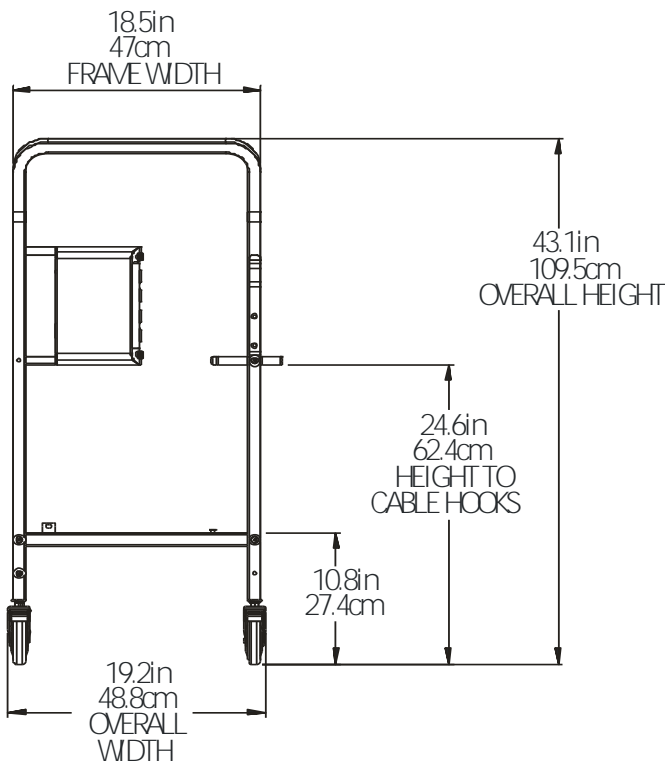
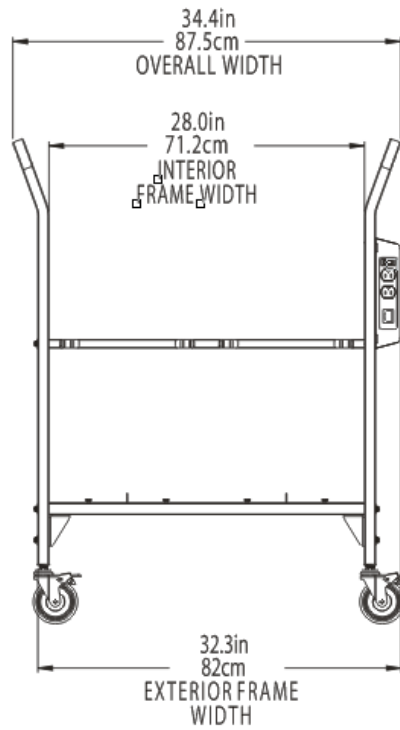


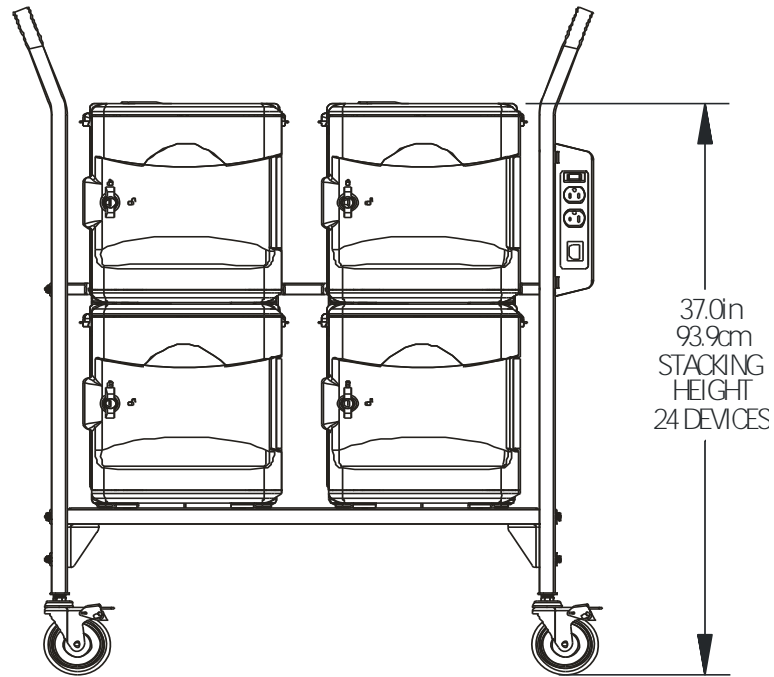
Tech Tub²® Modular Cart System

Model: FTT401

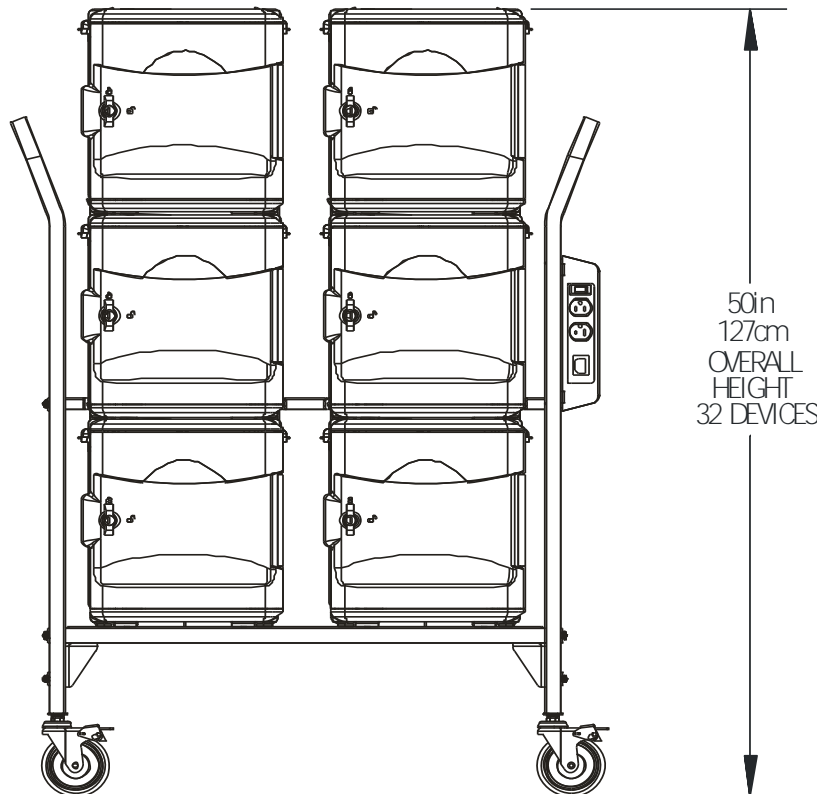


Tech Tub²® Modular Cart System

Model: FTT624, FTT624-USB



Model: FTT632, FTT632-USB



Tech Tub^{2®} Modular Cart System

Warranty:

5 Year frame warranty
 Lifetime Tech Tub^{2®} warranty
 1 Year electrical components warranty

Physical Specifications:

FTT624, FTT624-USB - 24 Device

43-1/8" H x 34-1/2" W x 19-3/8" D (109.5cm H x 87.5cm W x 49cm D)

FTT632, FTT632-USB - 32 Device

• 50" H x 34-1/2" W x 19-3/8" D (127cm H x 87.5cm W x 49cm D)

Tech Tub^{2®} Modular Cart System

Model: FTT624

Carton Sizes & Weights:

	Part No.	Carton Size (outer dimensions)	Carton Weight	Shipping Size (cubic feet)	Shipping Weights
6 device Tech Tub^{2®} with power strip	FTT600-A	13-3/4" H x 12-1/2" W x 17-1/4" D 34.9cm H x 31.8cm W x 43.8cm D	14lbs 6.4kg	1.9	14
6 device Tech Tub^{2®} with power strip	FTT600-A	13-3/4" H x 12-1/2" W x 17-1/4" D 34.9cm H x 31.8cm W x 43.8cm D	14lbs 6.4kg	1.9	14
6 device Tech Tub^{2®} with power strip	FTT600-A	13-3/4" H x 12-1/2" W x 17-1/4" D 34.9cm H x 31.8cm W x 43.8cm D	14lbs 6.4kg	1.9	14
6 device Tech Tub^{2®} with power strip and switching power timer	FTT600-F	13-3/4" H x 12-1/2" W x 17-1/4" D 34.9cm H x 31.8cm W x 43.8cm D	14lbs 6.4kg	1.9	14
Modular Cart Frame	FTT401-0	38" H x 19-1/2" W x 8-1/2" D 96.5cm H x 49.5cm W x 21.6cm D	46lbs 20.9kg	3.6	32.5

Tech Tub²® Modular Cart System

Model: FTT624-USB

Carton Sizes & Weights:

	Part No.	Carton Size (outer dimensions)	Carton Weight	Shipping Size (cubic feet)	Shipping Weights
6 device Tech Tub²® with USB Hub	FTT600-C	13-1/2" H x 12-1/2" W x 17-3/4" D 34.3cm H x 31.8cm W x 45.1cm D	15lbs 6.8kg	1.9	15
6 device Tech Tub²® with USB Hub	FTT600-C	13-1/2" H x 12-1/2" W x 17-3/4" D 34.3cm H x 31.8cm W x 45.1cm D	15lbs 6.8kg	1.9	15
6 device Tech Tub²® with USB Hub	FTT600-C	13-1/2" H x 12-1/2" W x 17-3/4" D 34.3cm H x 31.8cm W x 45.1cm D	15lbs 6.8kg	1.9	15
6 device Tech Tub²® with USB Hub and switching power timer	FTT600-G	13-1/2" H x 12-1/2" W x 17-3/4" D 34.3cm H x 31.8cm W x 45.1cm D	15lbs 6.8kg	1.9	15
Modular Cart Frame	FTT401-0	38" H x 19-1/2" W x 8-1/2" D 96.5cm H x 49.5cm W x 21.6cm D	46lbs 20.9kg	3.6	32.5

Tech Tub²® Modular Cart System

Model: FTT632

Carton Sizes & Weights:

	Part No.	Carton Size (outer dimensions)	Carton Weight	Shipping Size (cubic feet)	Shipping Weights
6 device Tech Tub²® with power strip	FTT600-A	13-3/4" H x 12-1/2" W x 17-1/4" D 34.9cm H x 31.8cm W x 43.8cm D	14lbs 6.4kg	1.9	14
6 device Tech Tub²® with power strip and switching power timer	FTT600-F	13-3/4" H x 12-1/2" W x 17-1/4" D 34.9cm H x 31.8cm W x 43.8cm D	14lbs 6.4kg	1.9	14
10 device Tech Tub²® with power strip	FTT1000	28-1/2" H x 13" W x 17-1/4" D 72.4cm H x 33cm W x 43.8cm D	28lbs 12.73kg	3.69	33
10 device Tech Tub²® with power strip	FTT1000	28-1/2" H x 13" W x 17-1/4" D 72.4cm H x 33cm W x 43.8cm D	28lbs 12.73kg	3.69	33
Modular Cart Frame	FTT401-0	38" H x 19-1/2" W x 8-1/2" D 96.5cm H x 49.5cm W x 21.6cm D	46lbs 20.9kg	3.6	32.5

Tech Tub²® Modular Cart System

Model: FTT632-USB

Carton Sizes & Weights:

	Part No.	Carton Size (outer dimensions)	Carton Weight	Shipping Size (cubic feet)	Shipping Weights
6 device Tech Tub²® with USB Hub	FTT600-C	13-1/2" H x 12-1/2" W x 17-3/4" D 34.3cm H x 31.8cm W x 45.1cm D	15lbs 6.8kg	1.9	15
6 device Tech Tub²® with USB Hub and switching power timer	FTT600-G	13-1/2" H x 12-1/2" W x 17-3/4" D 34.3cm H x 31.8cm W x 45.1cm D	15lbs 6.8kg	1.9	15
10 device Tech Tub²® with USB hub	FTT1000 - USB	28-1/2" H x 13" W x 17-1/4" D 34.3cm H x 31.8cm W x 45.1cm D	28lbs 12.73kg	3.69	33
10 device Tech Tub²® with USB hub	FTT1000 - USB	28-1/2" H x 13" W x 17-1/4" D 34.3cm H x 31.8cm W x 45.1cm D	28lbs 12.73kg	3.69	33
Modular Cart Frame	FTT401-0	38" H x 19-1/2" W x 8-1/2" D 96.5cm H x 49.5cm W x 21.6cm D	46lbs 20.9kg	3.6	32.5

Copernicus Educational Products

USA | PMB #459, 60 Industrial Pkwy | Cheektowaga, NY | 14227
 CANADA: R.R. #3, 8194 County Road 109 | Arthur, ON | N0G 1A0
 P 1 800 267 8494 | E info@copernicused.com

Copernicus Educational Products is not responsible for printing errors. Copernicus reserves the right to change or modify pricing and products specifications with or without prior notification. Illustrations and descriptions may not be exactly as shown. No part may be reproduced by any means without prior authorization of Copernicus Educational Products Inc. All rights reserved. 2018 ©