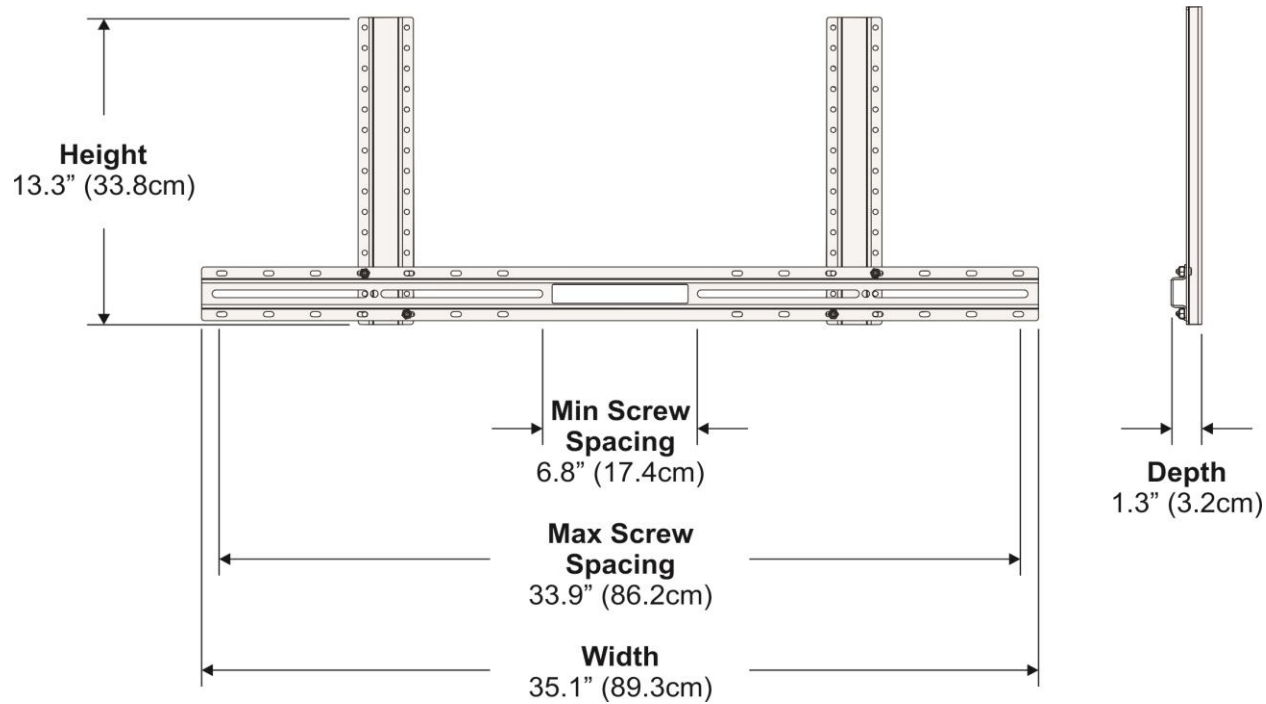


Sound Bar Mount for iRover2™ - Compatibility Chart

Model: IFP-ACS2



Sound Bar Maximum Weight: 10lbs (4.5kg)

Supported Mounting Screw Sizes: M5, M6 (1/4")

**Slot can fit up to M8 (5/16") screws but requires larger washers, & lock washers.*

**This mount uses your sound bars wallmounting screw holes.*

Supplied Screw Sizes: M5x10mm (x2), M5x15mm (x2), M6x10mm (x2), M6x15mm (x2)

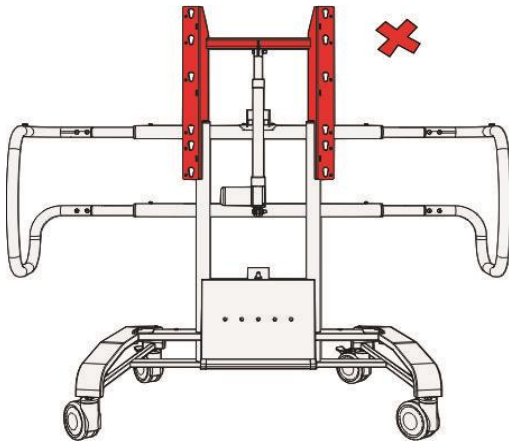
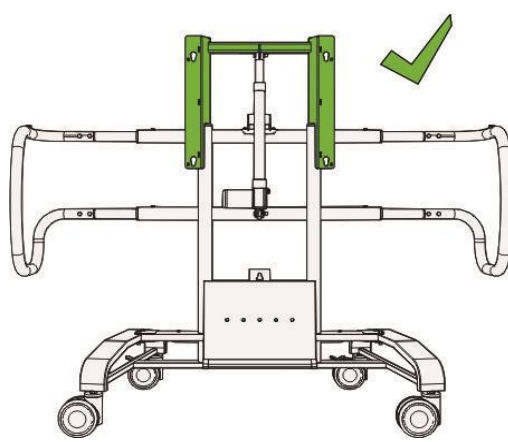
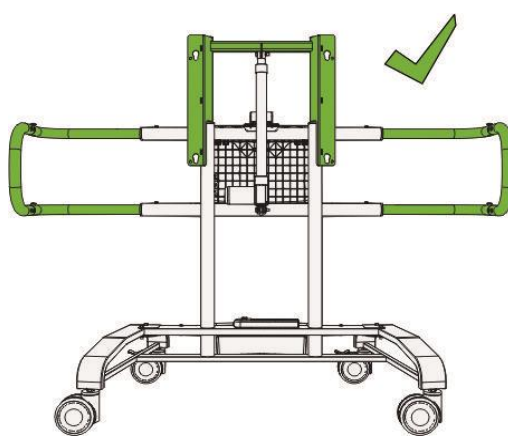
Examples of Supported Sound Bars: Saros® Sound Bar 200 (SB-200-P)

JBL® Pro Soundbar (PSB-1)

Audio Enhancement BEAM

| SKU | Product Name | Supported (Yes/No) |
|--------------|---|----------------------------|
| IFP300 | iRover2® for Interactive Flat Panels | No |
| IFP500 | iRover2® for Interactive Flat Panels (1st Gen.) | No - see below for details |
| IFP500 | iRover2® for Interactive Flat Panels (2nd Gen.) | Yes |
| IFP550 | iRover2® for Interactive Flat Panels - Base Model | |
| HAWM / HAWM1 | iRover2® Height-adjustable Wall Mount for Interactive Flat Panels | |
| FPE100 | iRover2® Interactive Flat Panel Easel | |

IFP500 Only: To identify which version of IFP500 you have look at the shape of the Moving Frame. Note the older version is taller and had 12 keyholes, while the updated version is shorter and has 4 keyholes.

| iRover2® for Interactive Flat Panels (1st Gen.) | iRover2® for Interactive Flat Panels (2nd Gen.) | iRover2® for Interactive Flat Panels with Updated Handles & Tray (2nd Gen.) |
|--|---|--|
|  |  |  |