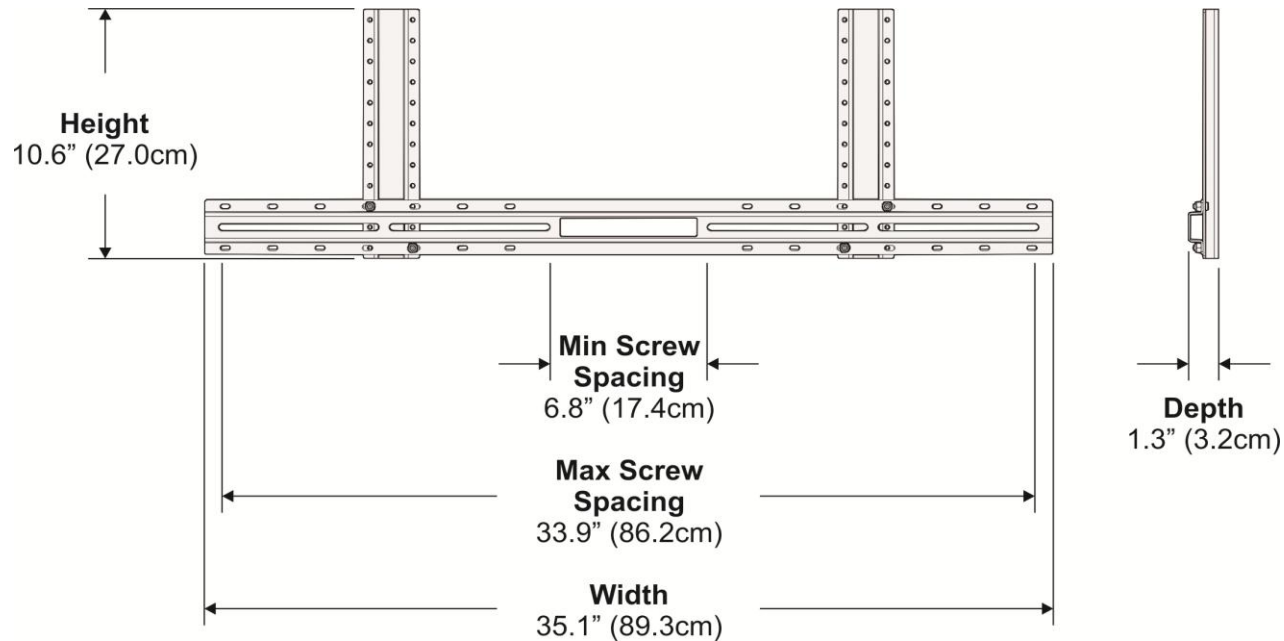


Soundbar Mount for iRover2™ - Compatibility Chart

Model: IFP-ACS2



Soundbar Maximum Weight: 10lbs (4.5kg)

Supported Mounting Screw Sizes: M5, M6 (1/4")

**Slot can fit up to M8 (5/16") screws but requires larger washers, & lock washers.*

**This mount uses your soundbars wallmounting screw holes.*

Supplied Screw Sizes: M5x10mm (x2), M5x15mm (x2), M6x10mm (x2), M6x15mm (x2)

Examples of Supported Soundbars: Saros® Sound Bar 200 (SB-200-P)

Hamilton Buhl Amplitude™ 37" Bluetooth® HD Sound Bar (AMP37)

JBL® Pro Soundbar (PSB-1)

Unit Compatibility:

| SKU | Product Name | Flat Panel Size | Supported (Yes/No) |
|------------|---|-----------------|--------------------|
| IFP300 | iRover2® for Interactive Flat Panels | 55" - 80" | No |
| IFP500 | iRover2® for Interactive Flat Panels (1st Gen) | 50" - 80" | No |
| IFP500 | iRover2® for Interactive Flat Panels (2nd Gen) | 50" - 80" | Yes |
| | | Over 80" | No |
| IFP550 | iRover2® for Interactive Flat Panels - Base Model | 50" - 80" | Yes |
| | | Over 80" | No |
| HAWM/HAWM1 | iRover2® Height-adjustable Wall Mount for Interactive Flat Panels | 50" - 80" | Yes |
| | | Over 80" | No |
| FPE100 | iRover2® Interactive Flat Panel Easel | Up to 75" | Yes |

IFP500 Only: How to identify which version of IFP500 you have by looking at the shape of the Moving Frame. Note the older version is taller and had 12 keyholes, while the updated version is shorter and has 4 keyholes.

