



Assembly Guide

23210-IS3_Amendment_2022_A

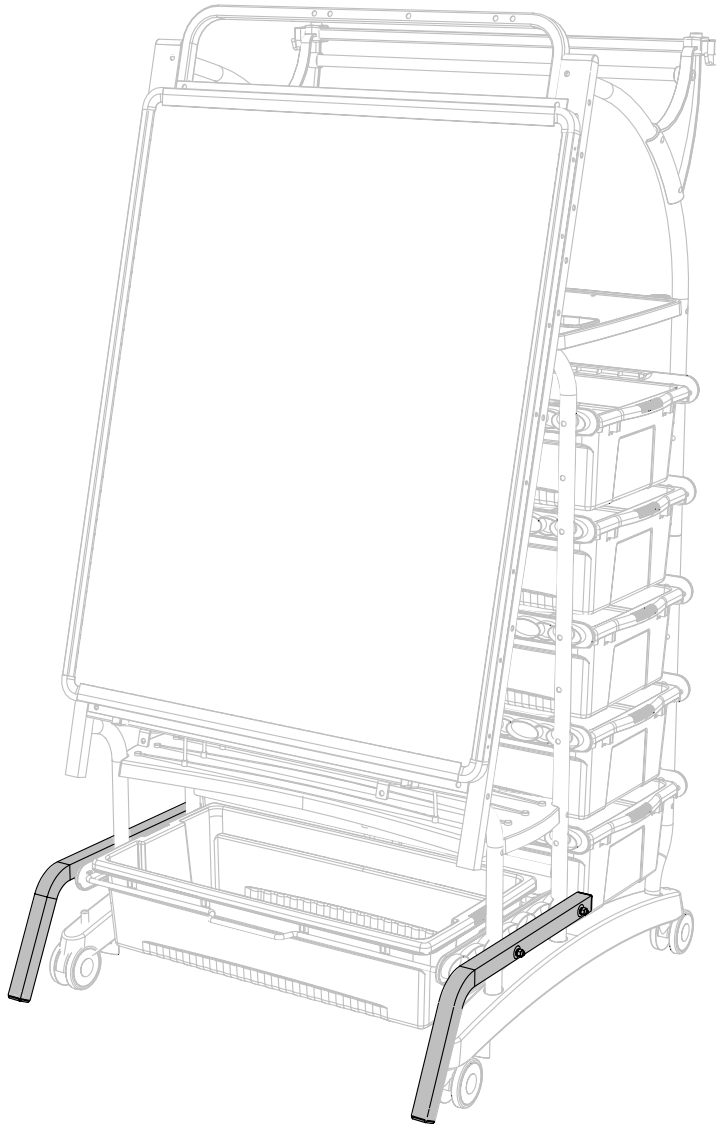
Check out our other products online at www.copernicused.com

For assistance, please contact us:

1-800-267-8494

Email info@copernicused.com

Have your packing slip ready for reference

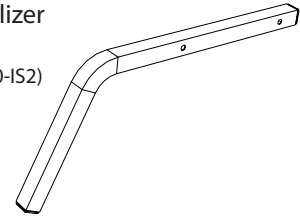


Parts

(Not to Scale)

Stabilizer

2x
(23210-IS2)



Hardware

(Actual Size)

A M6 x 60mm Bolt
4x



B M6 Washer
4x



C M6 Lock Washer
4x



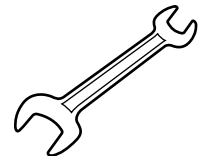
D M6 Nut
4x



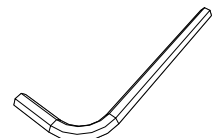
Tools Included

(Not to Scale)

8mm/10mm
Hex Wrench
Not to Scale
1x



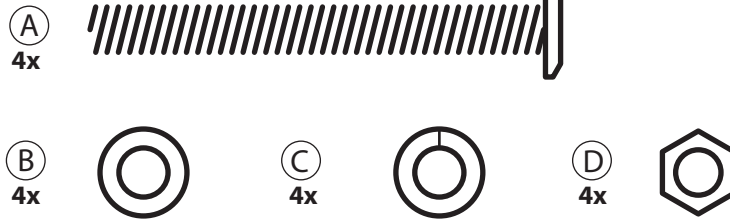
Allen Key
2x
(43281)



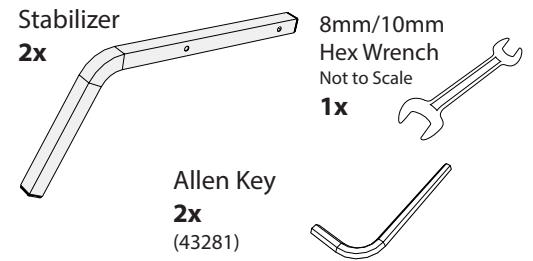
! When building your Inspiration Station easel, when you reach step 10 please follow this amendment instead. Continue with steps 11 and on using the regular assembly guide.

10

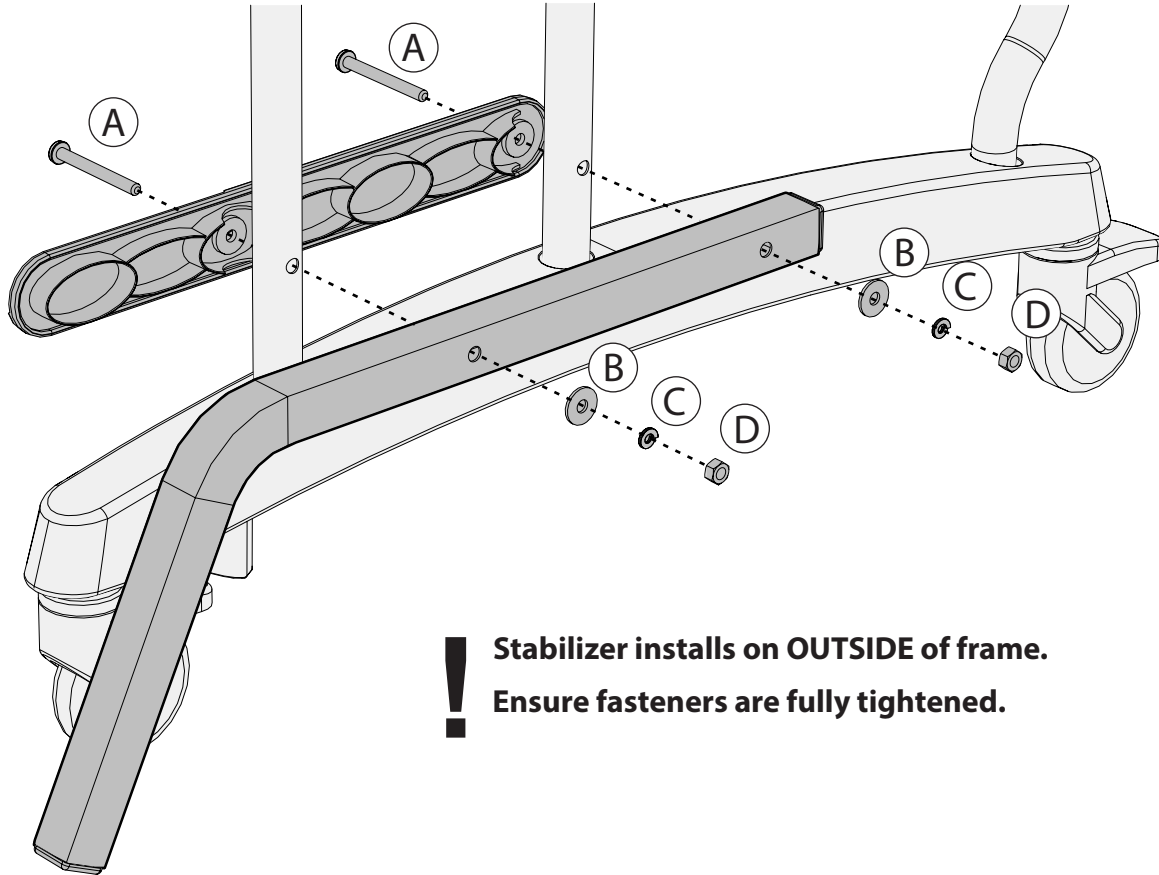
Actual Size:



You will need: (Not to Scale)



Attach Stabilizers and Plastic Rails Repeat on left side



! Stabilizer installs on **OUTSIDE** of frame.
Ensure fasteners are fully tightened.



Check Stabilizers Regularly

Keep the wrench provided with the parts and ensure their tightness.

Check stabilizer fasteners 3 months after the initial installation and then every year afterwards.

Check for any damage to the plastic bases yearly and if anything is discovered, please contact customer service immediately at 1-800-267-8494.