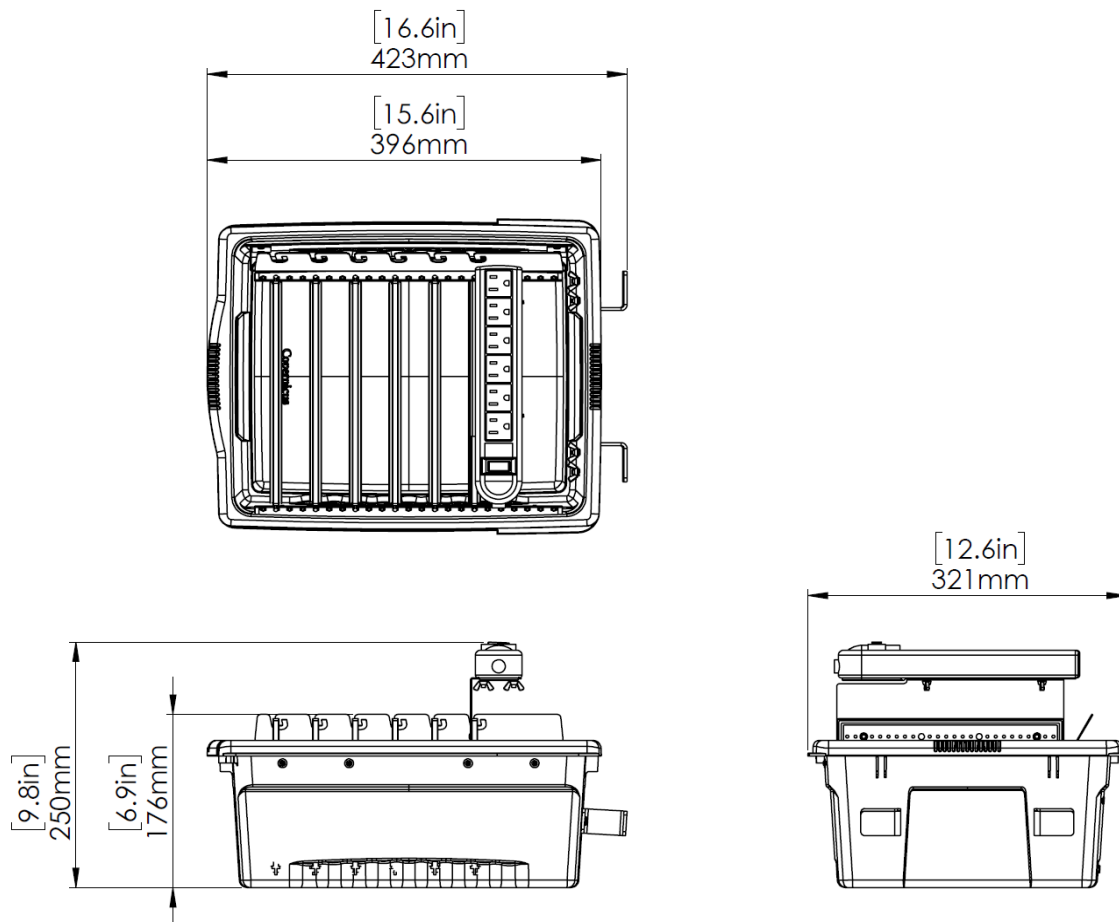


**Device Charging Tub**

Model: DCT600



**Device Charging Tub**

Model: DCT600

**Warranty:**

Lifetime Tub and Components Warranty

1 Year Component Warranty (excluded devices and electrical cords, accessories etc.)

**Physical Specifications:**

**Fully Assembled, No Devices**

9-7/8" H x 12-5/8" W x 16-5/8" D (250mm H x 321mm W x 423mm D)

**Specification area 2**

Measurement imperial/metric

**Specification area 3 (add more as needed)**

Measurement imperial/metric

**Device Charging Tub**

Model: DCT600

**Estimated Carton Size & Weights:**

	<b>Part No.</b>	<b>Carton Size</b> (outer dimensions)	<b>Carton Weight</b>	<b>Shipping Size</b> (cubic feet)	<b>Shipping Weights</b>
<b>Device Charting Tub</b>	DCT600	11.25" H x 13.75" W x 17" D 286mm H x 349mm x 432mm D	7lbs 13oz 3.5kg	1.65 ft <sup>2</sup>	8.0lbs 3.64kg

**Please note:**

**Copernicus Educational Products**

USA | PMB #459, 60 Industrial Pkwy | Cheektowaga, NY | 14227

CANADA: R.R. #3, 8194 County Road 109 | Arthur, ON | N0G 1A0

P 1 800 267 8494 | E info@copernicused.com

Copernicus Educational Products is not responsible for printing errors. Copernicus reserves the right to change or modify pricing and products specifications with or without prior notification. Illustrations and descriptions may not be exactly as shown. No part may be reproduced by any means without prior authorization of Copernicus Educational Products Inc. All rights reserved. 2015 ©