

# Teach 'n' Go Cart



## Assembly Guide Amendment

For assistance, please contact us:  
1-800-267-8494 or info@copernicused.com  
Have your packing slip ready for reference

**FOR STEPS 2 and 4 PLEASE USE STEPS IN THIS AMENDMENT.  
USE REGULAR ASSEMBLY GUIDE FOR ALL OTHER STEPS.**

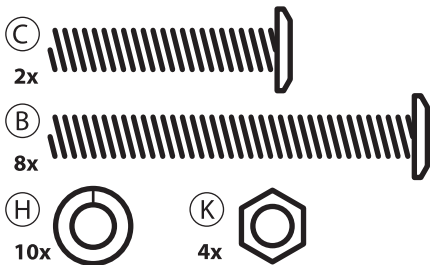
### New Parts



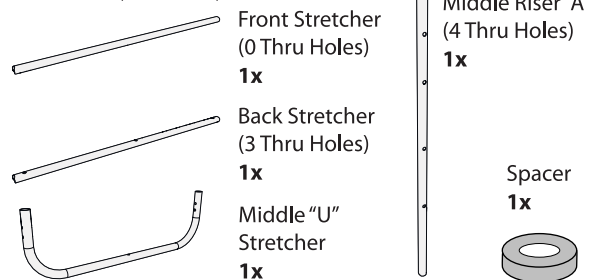
All other hardware is packed with the frame components along with the original assembly guide.

2

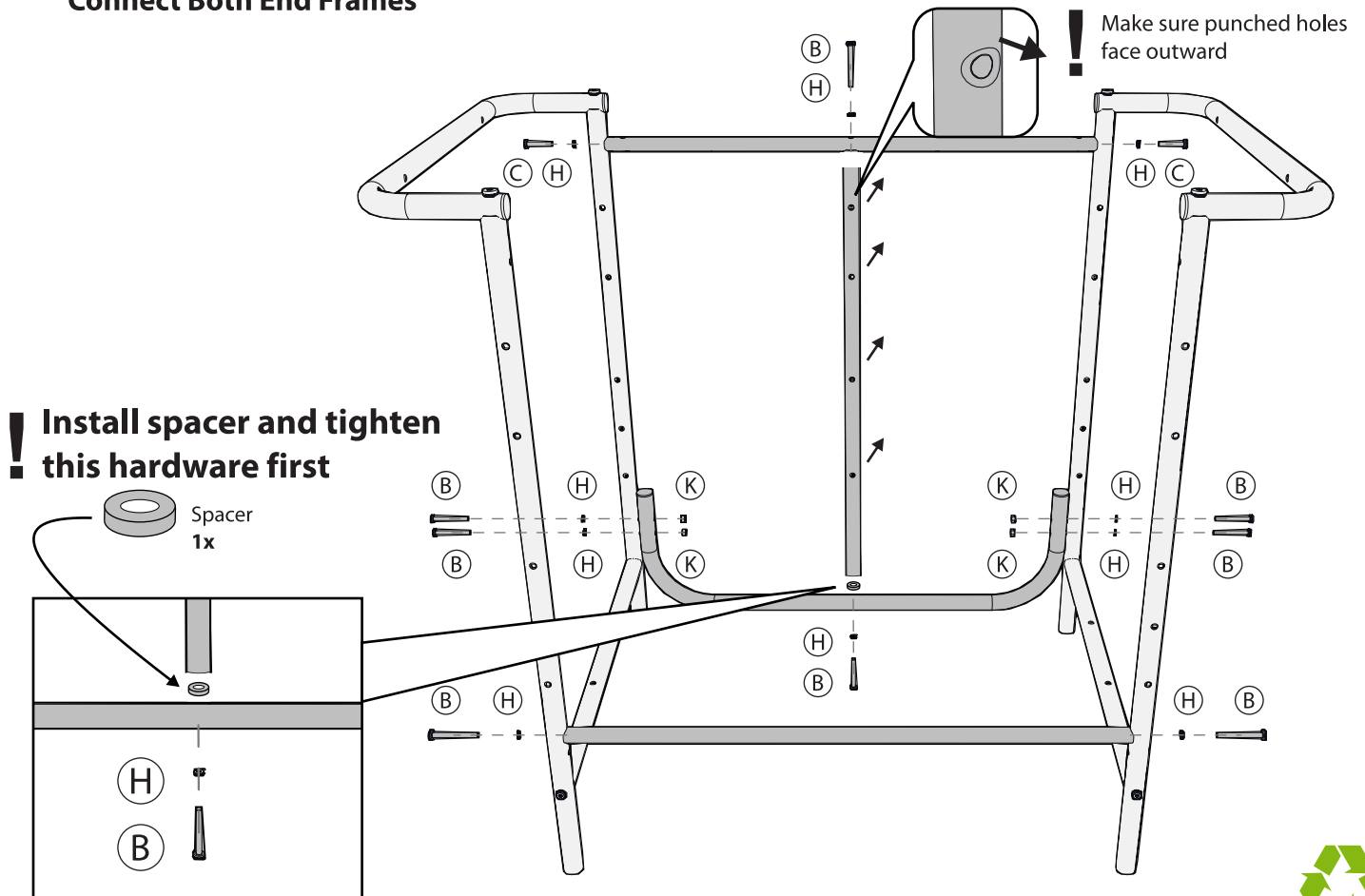
Actual Size:



You will need: (Not to Scale)



### Connect Both End Frames

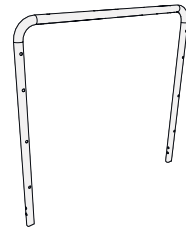


4

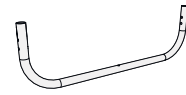
Actual Size:



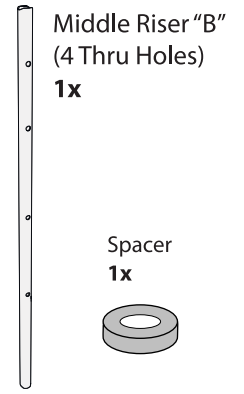
You will need: (Not to Scale)



Middle Frame  
1x



Middle "U"  
Stretcher  
1x



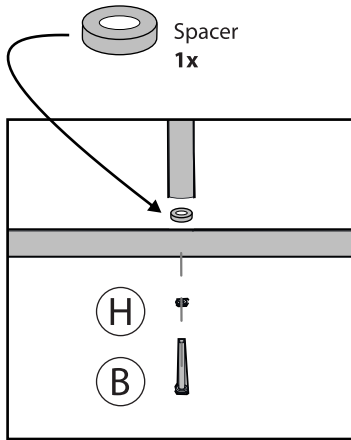
Middle Riser "B"  
(4 Thru Holes)  
1x

Spacer  
1x

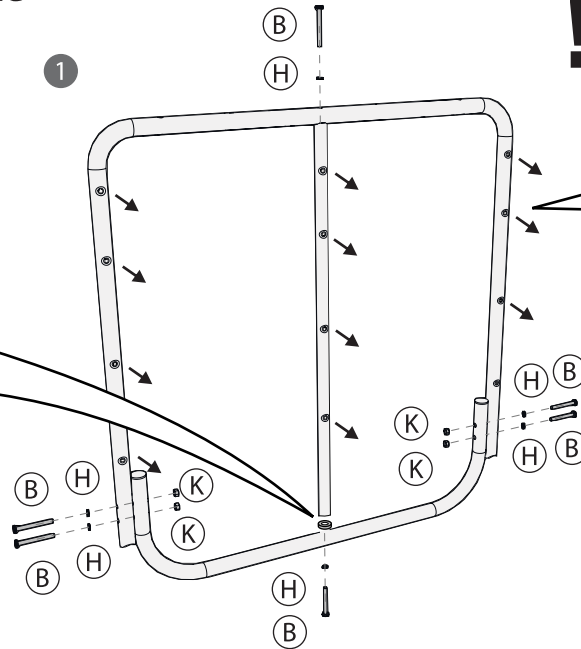


### Assemble and Secure Middle Frame

**!** Install spacer and tighten this hardware first

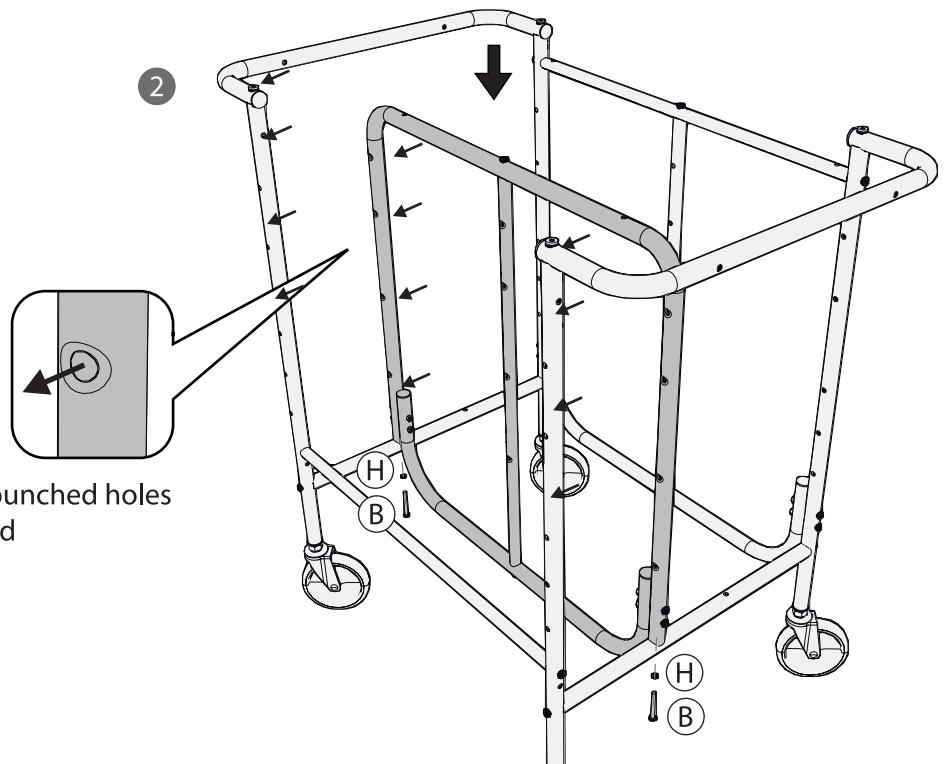


1



**!** Make sure punched holes are on same side

2



**!** Make sure punched holes face outward