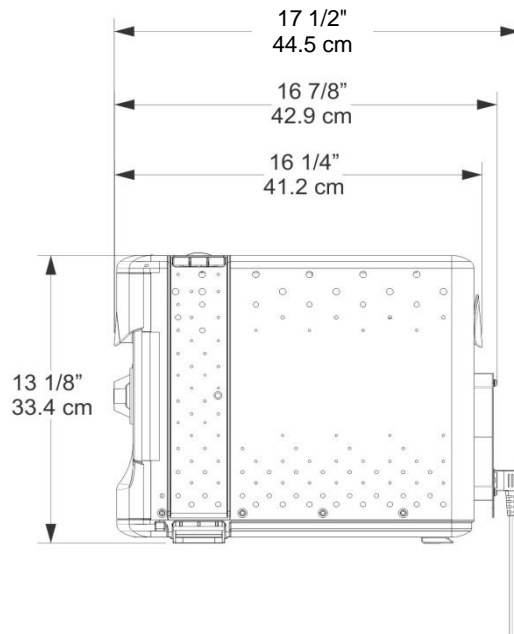
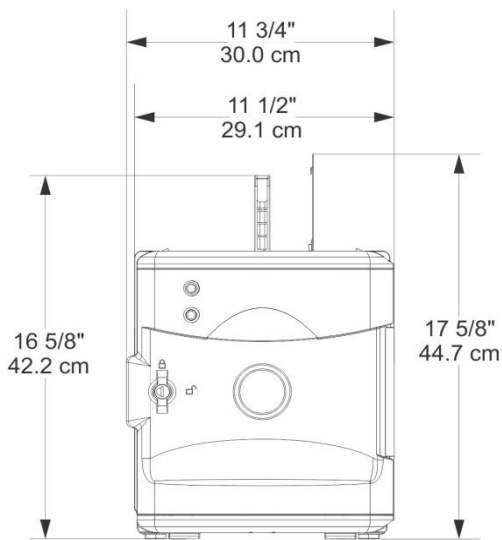
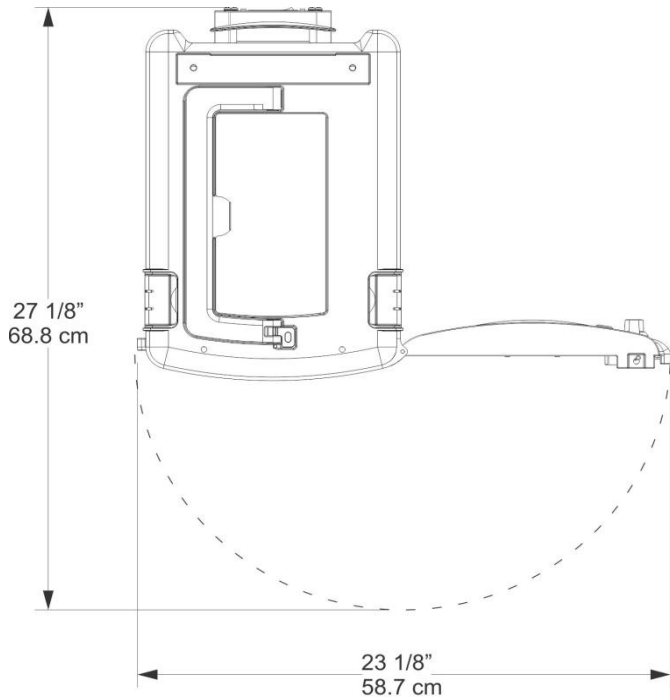


**UV Tech Tub®**

Model: FTT-UV



**UV Tech Tub®**

Model: FTT-UV

**Warranty:**

Lifetime on Tub components  
 1 year warranty on UV bulbs and electrical components

**Physical Specifications:**

**Overall dimensions**

13 1/8" (33.4 cm) H x 11 3/4" (30.0 cm) W x 17 1/2" (44.5 cm) D

**Inside chamber dimensions**

8 1/2" (21 cm) H x 9 1/2" (24.5 cm) W x 12 3/4" (32 cm) D

**Carton Size & Weights:**

	<b>Part No.</b>	<b>Carton Size</b> (outer dimensions)	<b>Weight</b>	<b>Volume</b> (ft <sup>3</sup> )	<b>Dim. Wt.</b> (lbs)
<b>UV Tech Tub</b>	FTT-UV	21 1/4" H x 15 1/2" W x 17 3/4" D (54cm H x 39.4cm W x 45.1cm D)	21 lbs (9.5 kg)	3.38	30

**Copernicus Educational Products**

USA | P.O. Box 248 | Buffalo, NY | 14225

CANADA: R.R. #3, 8194 County Road 109 | Arthur, ON | N0G 1A0

P 1 800 267 8494 | E info@copernicused.com

Copernicus Educational Products is not responsible for printing errors. Copernicus reserves the right to change or modify pricing and products specifications with or without prior notification. Illustrations and descriptions may not be exactly as shown. No part may be reproduced by any means without prior authorization of Copernicus Educational Products Inc. All rights reserved. 2015 ©