



**Do Not Use Power
Tools for Assembly**



Important Information!



Adult Supervision

This product contains small parts when unassembled that can be hazardous to small children, and should be used under the supervision of an adult.



Climb Hazard

Do not climb on, hang on, or suspend objects from any component of this product unless otherwise specified.



Indoor Use Only

This product is intended for indoor commercial use only. To reduce risk of damage, do not expose this product to rain or moisture.



For missing parts and other issues regarding your product:

Please contact customer service, where we will be happy to help.
1-800-267-8494 Monday - Friday 8:00am - 4:30pm EST
info@copernicused.com



Register Your Product

Register your product to make future warranty claims quick and easy.

Visit:

www.copernicused.com/warranty



Make a Warranty Claim

We offer a lifetime warranty and free replacement parts on almost everything we make.

Call **1-800-267-8494** or

email info@copernicused.com

Proof of purchase required.

Tips for Assembly:



2-Person Task

For safety, please have someone help you when working on steps displaying this symbol.



The symbol denotes a step needing extra attention to ensure it is done correctly.

Wood Maintenance:



When needed, wipe down with mild soapy water.

Wipe cleaning solution off immediately after use.

Recommended cleaning is once monthly, and at minimum, once per school year.



DO NOT use bleach or ammonia based products on finish.



DO NOT use other harsh chemicals to clean finish.



DO NOT leave standing water on product.

Organic materials, including birch and other woods, feature natural variations in color and grain pattern, and visual irregularities where growth nodes or knots exist. The particular color or pattern of any one part or product may vary from one item to another, and it may change slightly with age. These natural variations are considered normal and do not constitute a defect covered under warranty.



Parts

Before beginning, you should have:

Hardware

M7 x 40 Self Tapping Screw (43508)



M5 x 40 Self Tapping Screw (43507)



Wooden Peg (43550)



Wood Screw Round Head #6 x 1/2" (4300347)



Wood Screw Flat Head #6 x 1" (4300350)



#6 Countersunk Washer (43502)

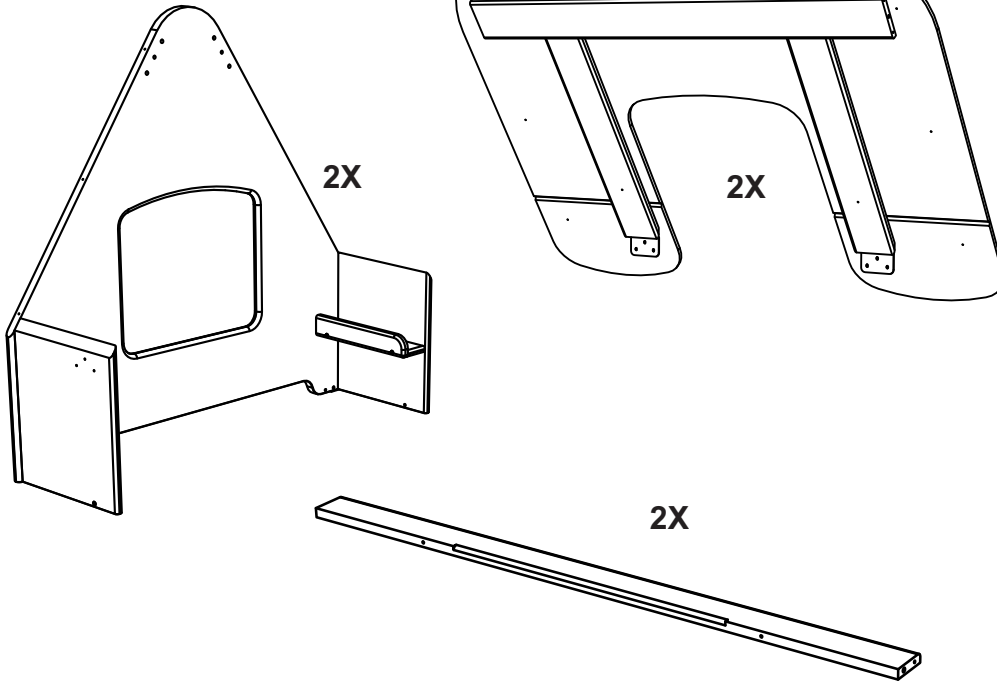
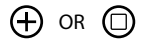


Tools

Allen Key (43281)



Screwdriver



1



2-Person Task

Assemble in the room that it will be used. Unit will not fit through a doorway once assembled.

Hardware

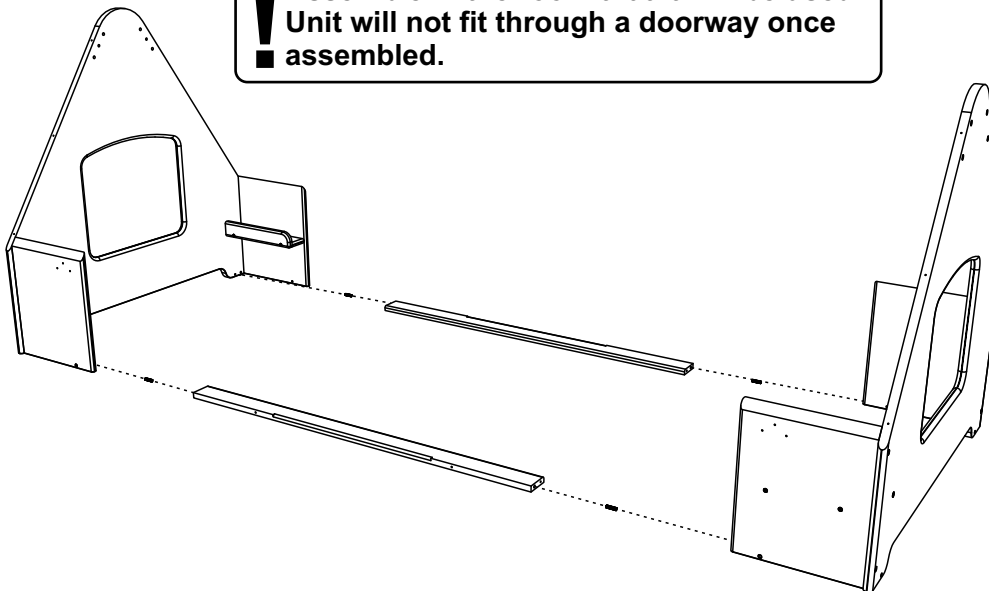
Wooden Peg (43550)



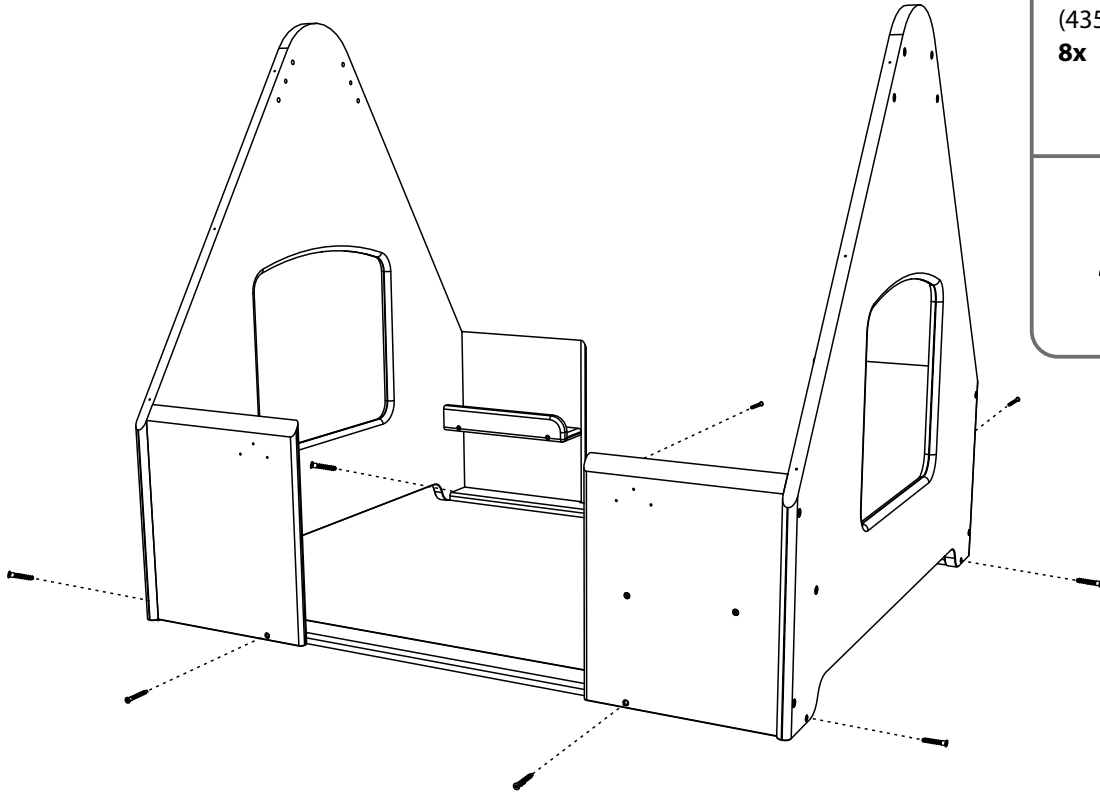
Tools



Allen Key (43281)
2x



2



Hardware

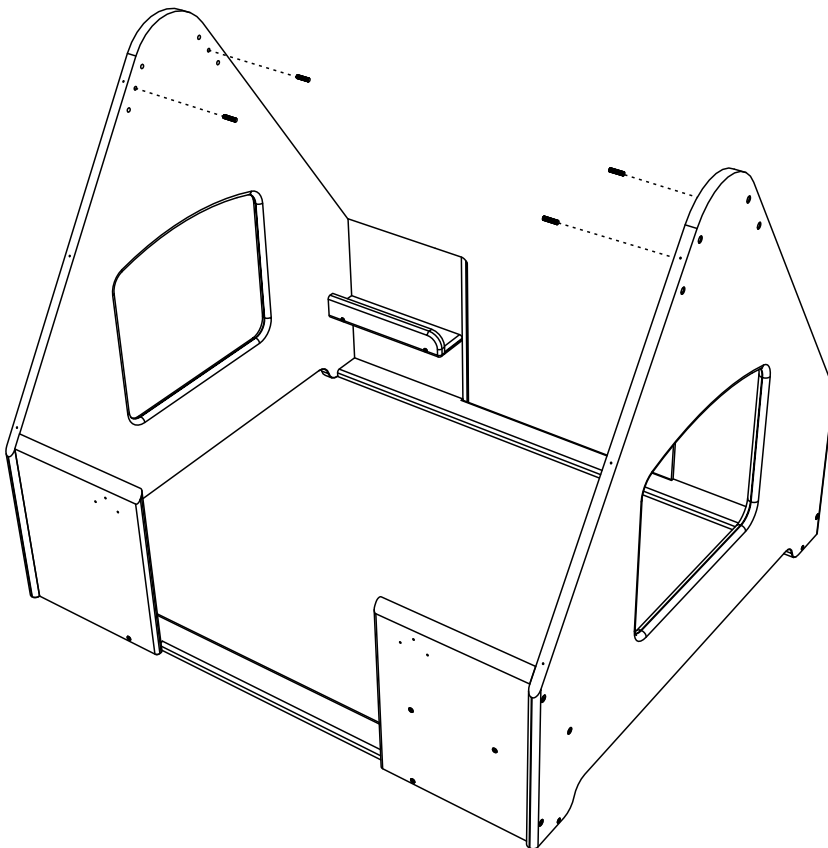
M5 x 40 Self Tapping Screw
(43507)



Tools



3



Hardware

Wooden Peg
(43550)



Tools

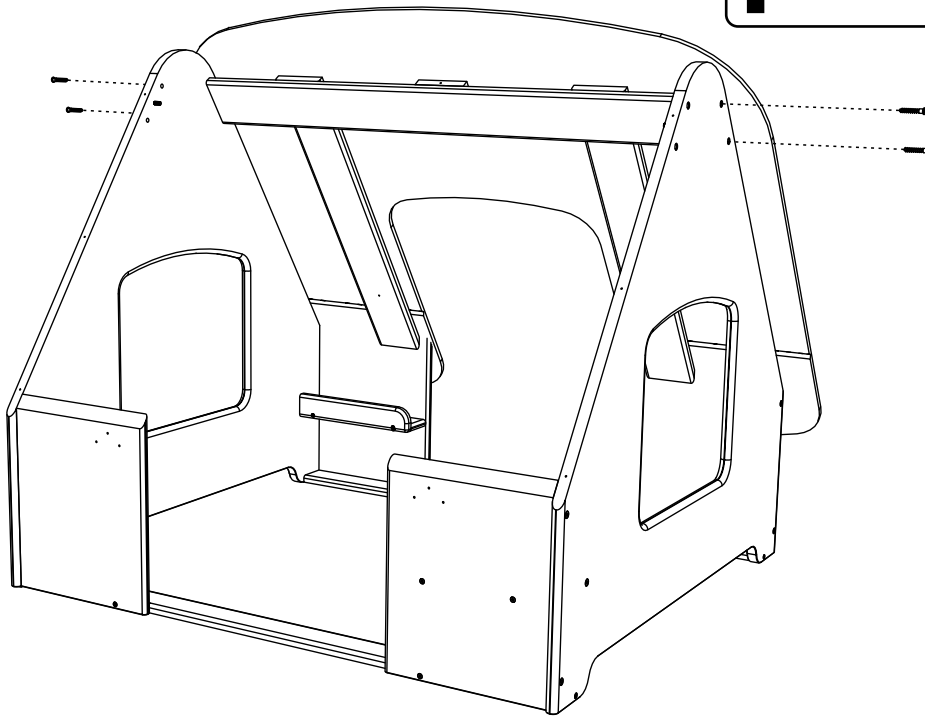


4



2-Person Task

! DON'T FULLY TIGHTEN SCREWS



Hardware

M7 x 40 Self Tapping Screw (43508)



Tools

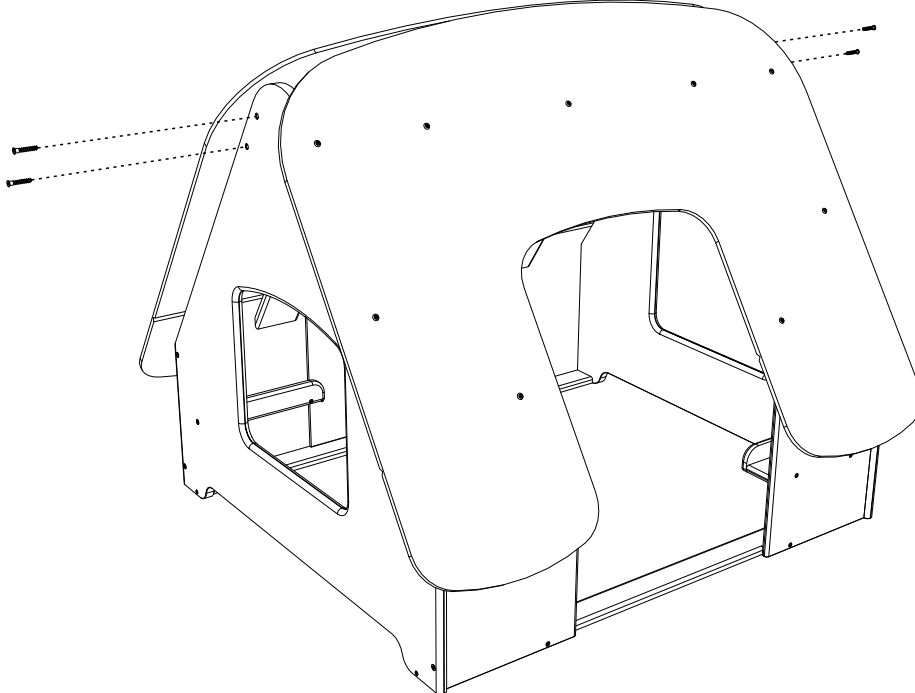


5



2-Person Task

! FULLY TIGHTEN SCREWS ON BOTH SIDES



Hardware

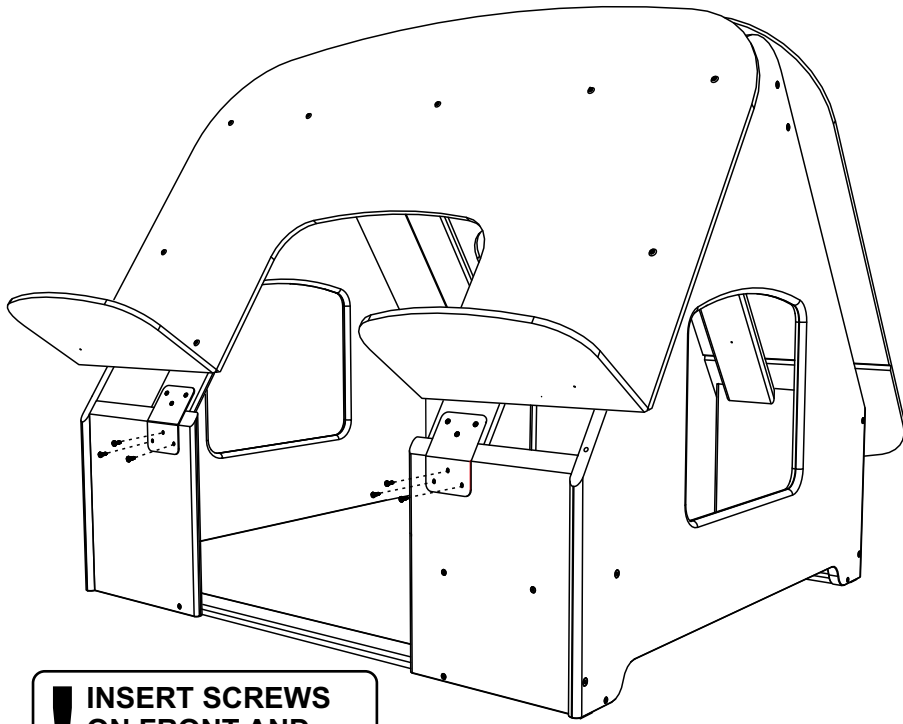
M7 x 40 Self Tapping Screw (43508)



Tools



6



! INSERT SCREWS
ON FRONT AND
REAR BRACKETS

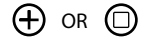
Hardware

Wood Screw Round Head
M6 x 1/2"
12x

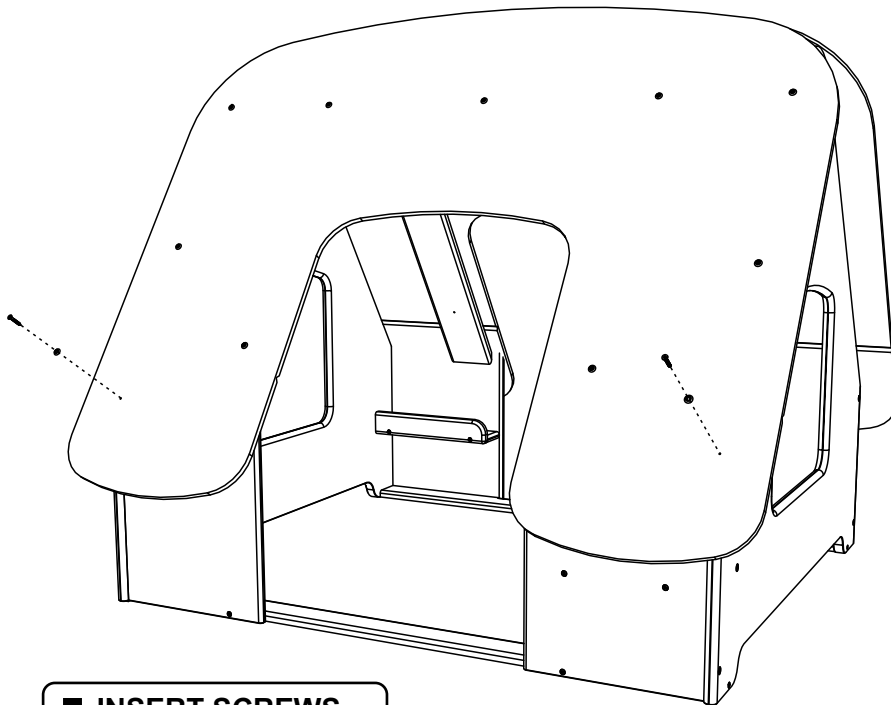


Tools

Screwdriver



7



! INSERT SCREWS
ON FRONT AND
REAR PANELS

Hardware

Wood Screw Flat Head M6 x 1"
4x



M6 Countersunk Washer
4x



Tools

Screwdriver

