

SKU: W-B-LTP(-C), W-B-LTT (-C)



**Do Not Use Power  
Tools for Assembly**



## Important Information!



### Adult Supervision

This product contains small parts when unassembled that can be hazardous to small children, and should be used under the supervision of an adult.



### Climb Hazard

Do not climb on, hang on, or suspend objects from any component of this product unless otherwise specified.



### Indoor Use Only

This product is intended for indoor commercial use only. To reduce risk of damage, do not expose this product to rain or moisture.



## For missing parts and other issues regarding your product:

Please contact customer service, where we will be happy to help.  
1-800-267-8494 Monday - Friday 8:00am - 4:30pm EST  
info@copernicused.com



### Register Your Product

Register your product to make future warranty claims quick and easy.

Visit:

[www.copernicused.com/warranty](http://www.copernicused.com/warranty)

### Make a Warranty Claim

We offer a lifetime warranty and free replacement parts on almost everything we make.

Call **1-800-267-8494** or

email [info@copernicused.com](mailto:info@copernicused.com)

Proof of purchase required.

## Tips for Assembly:



2-Person Task

For safety, please have someone help you when working on steps displaying this symbol.



The symbol denotes a step needing extra attention to ensure it is done correctly.

## Wood & Softouch Maintenance:



When needed, wipe down with mild soapy water.

Wipe cleaning solution off immediately after use.

Recommended cleaning is once monthly, and at minimum, once per school year.

Harsh chemicals like bleach and ammonia based cleaners can be hard on surface finishes. If disinfecting using harsh chemicals is required, we recommend:

50:1 - Water : Bleach solution

DO NOT leave standing water/solution on product.

DO NOT use abrasive cleaners or sponges

Organic materials, including birch and other woods, feature natural variations in color and grain pattern, and visual irregularities where growth nodes or knots exist. The particular color or pattern of any one part or product may vary from one item to another, and it may change slightly with age. These natural variations are considered normal and do not constitute a defect covered under warranty.

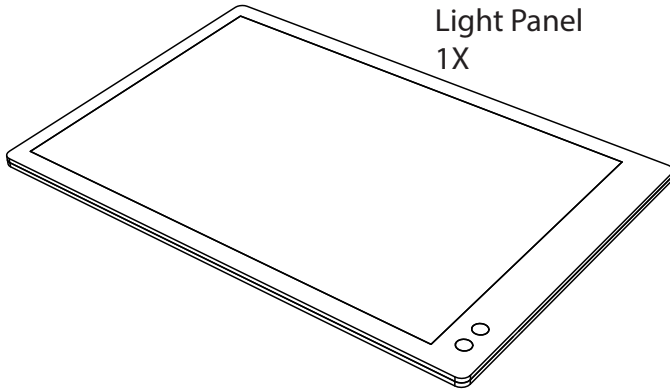


## Parts

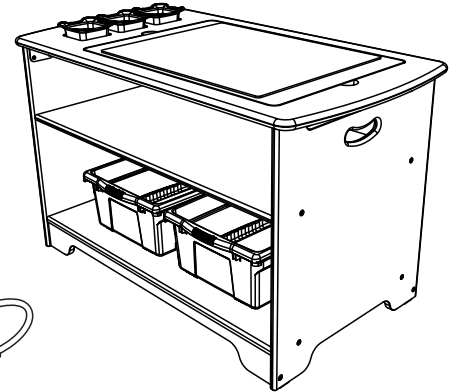
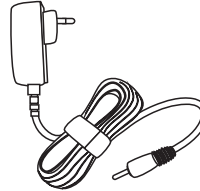
Before beginning, you should have:

Sensory Table  
1X

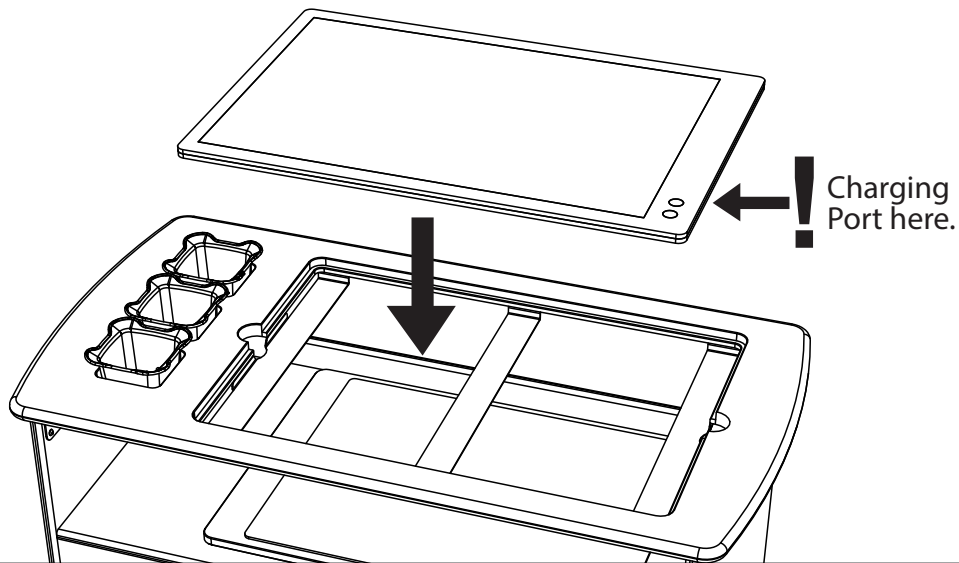
Light Panel  
1X



Charging Cable  
1X



1



2

Place light panel on top of the brackets. For further light panel use tips, follow instructions from light panel box.

! Plug in Light Screen when needed  
Or keep panel plugged in during use.

