



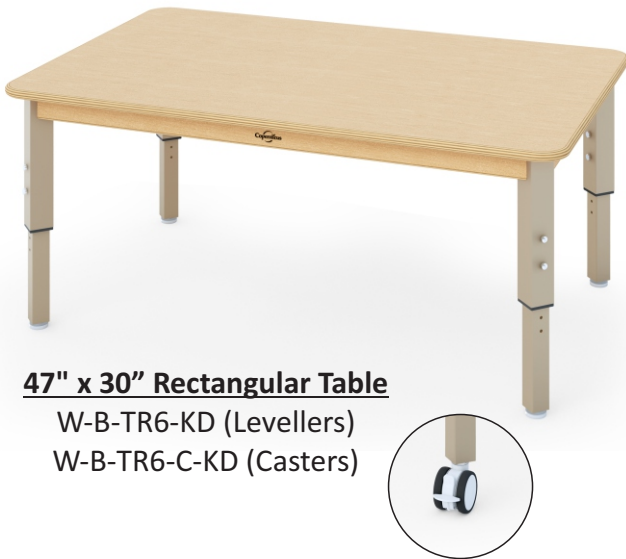
30" Square Table

W-B-TSQ4-KD (Levellers)
W-B-TSQ4-C-KD (Casters)



30" Round Table

W-B-TRD4-KD (Levellers)
W-B-TRD4-C-KD (Casters)



47" x 30" Rectangular Table

W-B-TR6-KD (Levellers)
W-B-TR6-C-KD (Casters)



60" x 30" Rectangular Table

W-B-TR8-KD (Levellers)
W-B-TR8-C-KD (Casters)

Important Information!



Do Not Use Power Tools for Assembly



Adult Supervision

This product contains small parts when unassembled that can be hazardous to small children, and should be used under the supervision of an adult.



Climb Hazard

Do not climb on, hang on, or suspend objects from any component of this product unless otherwise specified.



Indoor Use Only

This product is intended for indoor commercial use only. To reduce risk of damage, do not expose this product to rain or moisture.



For missing parts and other issues regarding your product:

Please contact customer service, where we will be happy to help.
1-800-267-8494 Monday - Friday 8:00am - 4:30pm EST
info@copernicused.com



Register Your Product

Register your product to make future warranty claims quick and easy.

Visit:

www.copernicused.com/warranty

Make a Warranty Claim

We offer a lifetime warranty and free replacement parts on almost everything we make.

Call **1-800-267-8494** or

email info@copernicused.com

Proof of purchase required.

Tips for Assembly:



2-Person Task

For safety, please have someone help you when working on steps displaying this symbol.



The symbol denotes a step needing extra attention to ensure it is done correctly.

Wood & Softouch Maintenance:



When needed, wipe down with mild soapy water.

Wipe cleaning solution off immediately after use.

Recommended cleaning is once monthly, and at minimum, once per school year.

Harsh chemicals like bleach and ammonia based cleaners can be hard on surface finishes. If disinfecting using harsh chemicals is required, we recommend:

50:1 - Water : Bleach solution

DO NOT leave standing water/solution on product.

DO NOT use abrasive cleaners or sponges

Organic materials, including birch and other woods, feature natural variations in color and grain pattern, and visual irregularities where growth nodes or knots exist. The particular color or pattern of any one part or product may vary from one item to another, and it may change slightly with age. These natural variations are considered normal and do not constitute a defect covered under warranty.



Parts

Before beginning, you should have:

Box 1

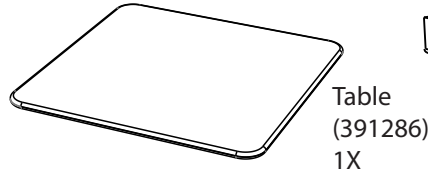
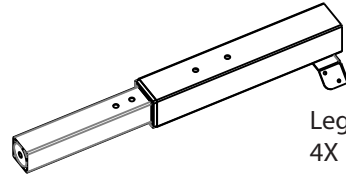


Table
(391286)
1X

Apron
(391290)
4X

In Box 1

Box 2

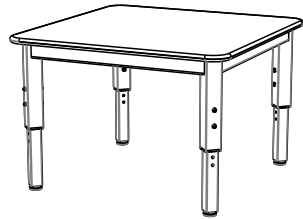


Leg
4X

Hardware

Wood Screw Round
Head #8 x 1/2"
(43020)
40x

Wooden Peg
(43550)
8x

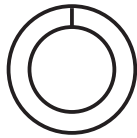


30" Square Table

W-B-TSQ4-KD (Levellers)
W-B-TSQ4-C-KD (Casters)

M10 Lock Washer
(4301003)
4x

*Caster
versions
only*



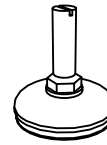
2.5" Caster
(43523)
4x

*Caster
versions
only*



Leveling Foot
(43501)
4x

*Leveler
versions
only*



2 Hole L-Bracket
(43509)
4x



Box 1

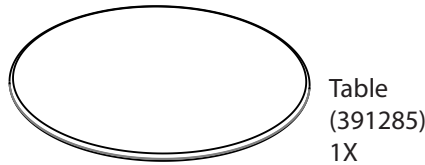
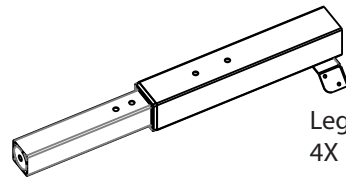


Table
(391285)
1X

Apron
(391256)
4X

In Box 1

Box 2



Leg
4X

Hardware

Wood Screw Round
Head #8 x 1/2"
(43020)
32x

Wooden Peg
(43550)
8x

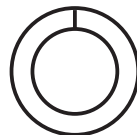


30" Round Table

W-B-TRD4-KD (Levellers)
W-B-TRD4-C-KD (Casters)

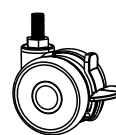
M10 Lock Washer
(4301003)
4x

*Caster
versions
only*



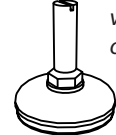
2.5" Caster
(43523)
4x

*Caster
versions
only*



Leveling Foot
(43501)
4x

*Leveler
versions
only*

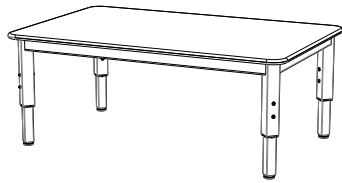




Parts

Before beginning, you should have:

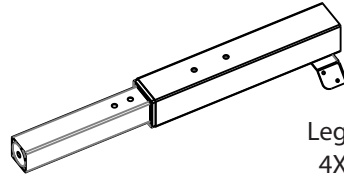
Hardware



47" x 30" Rectangular Table

W-B-TR6-KD (Levellers)
W-B-TR6-C-KD (Casters)

Box 1



Leg
4X

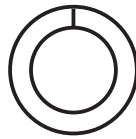
Wood Screw Round
Head #8 x 1/2"
(43020)
40x



Wooden Peg
(43550)
8x



M10 Lock Washer
(4301003)
4x



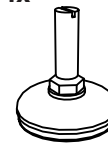
*Caster
versions
only*

2.5" Caster
(43523)
4x



*Caster
versions
only*

Leveling Foot
(43501)
4x



*Leveler
versions
only*

2 Hole L-Bracket
(43509)
4x



In Box 2

Box 2

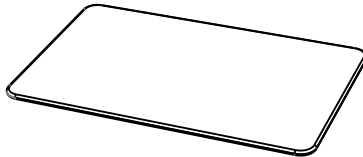
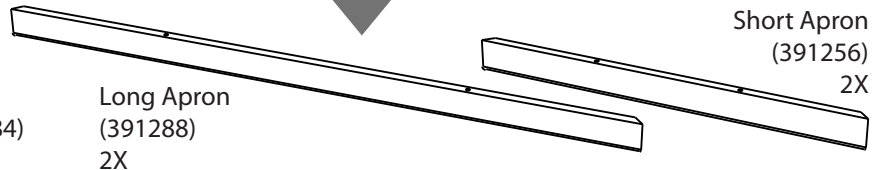


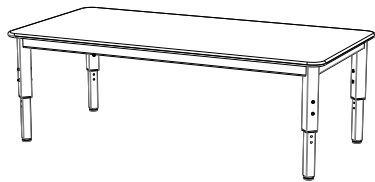
Table
(391284)
1X



Long Apron
(391288)
2X

Short Apron
(391256)
2X

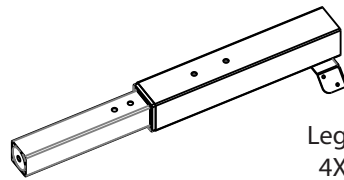
Hardware



60" x 30" Rectangular Table

W-B-TR8-KD (Levellers)
W-B-TR8-C-KD (Casters)

Box 1



Leg
4X

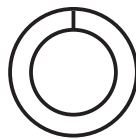
Wood Screw Round
Head #8 x 1/2"
(43020)
40x



Wooden Peg
(43550)
12x



M10 Lock Washer
(4301003)
4x



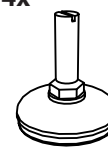
*Caster
versions
only*

2.5" Caster
(43523)
4x



*Caster
versions
only*

Leveling Foot
(43501)
4x



*Leveler
versions
only*

2 Hole L-Bracket
(43509)
6x



In Box 2

Box 2

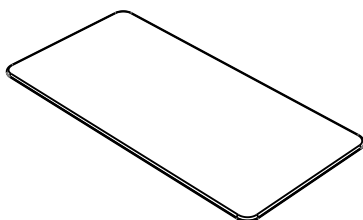
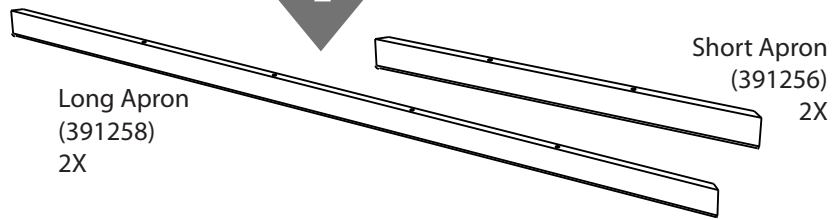


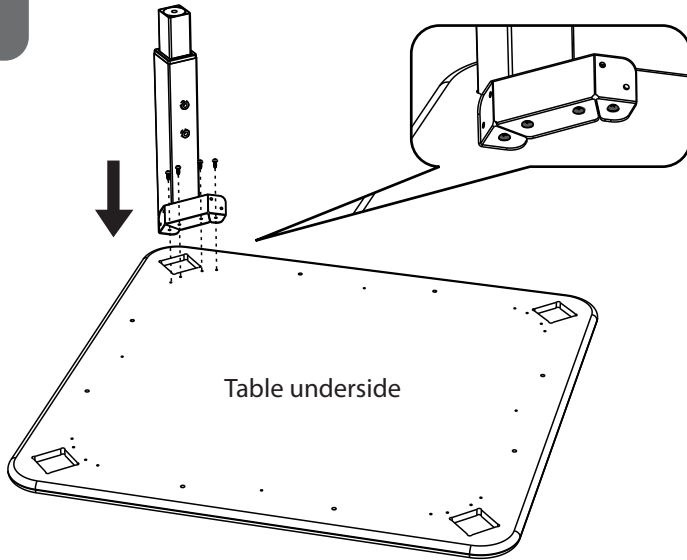
Table
(391255)
1X



Long Apron
(391258)
2X

Short Apron
(391256)
2X

1



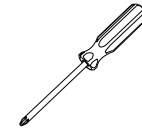
Hardware

Wood Screw Round Head
#8 x 1/2"

16x

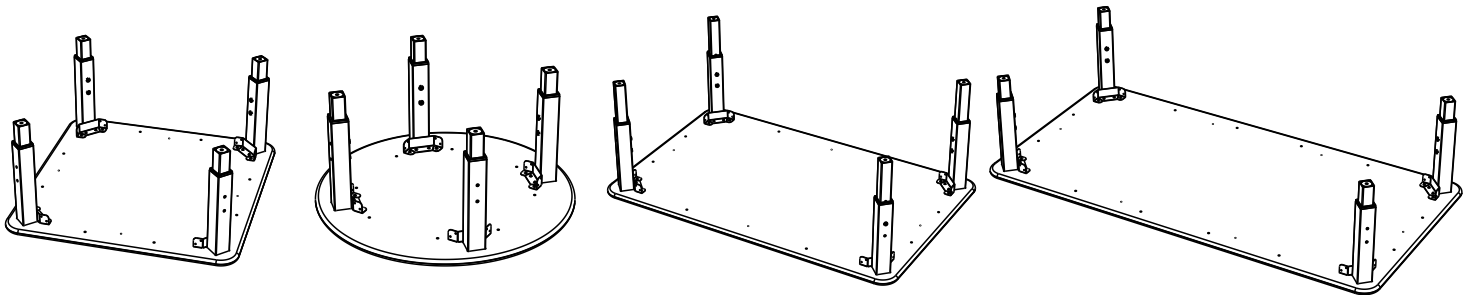


Tools



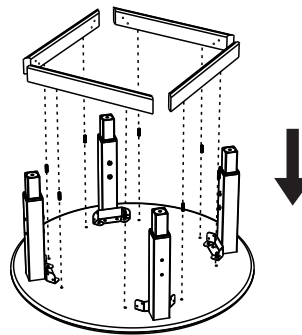
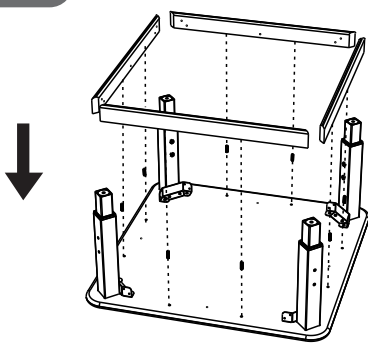
Phillips
Screwdriver
(Not included)

1x



Install all 4 legs. Tighten fully.

2



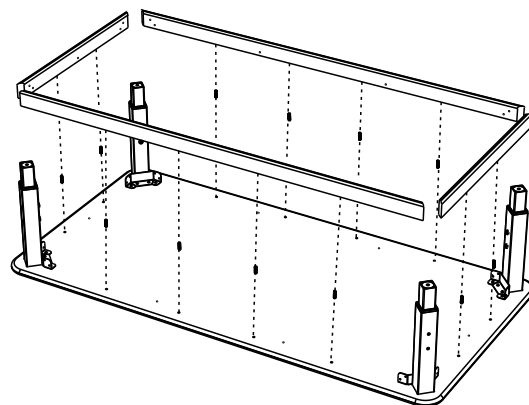
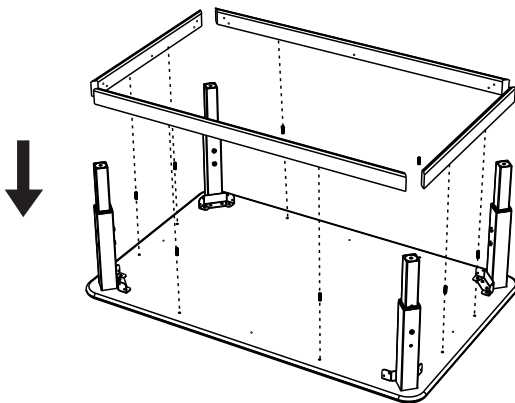
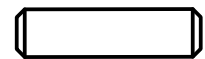
Hardware

Wooden Peg

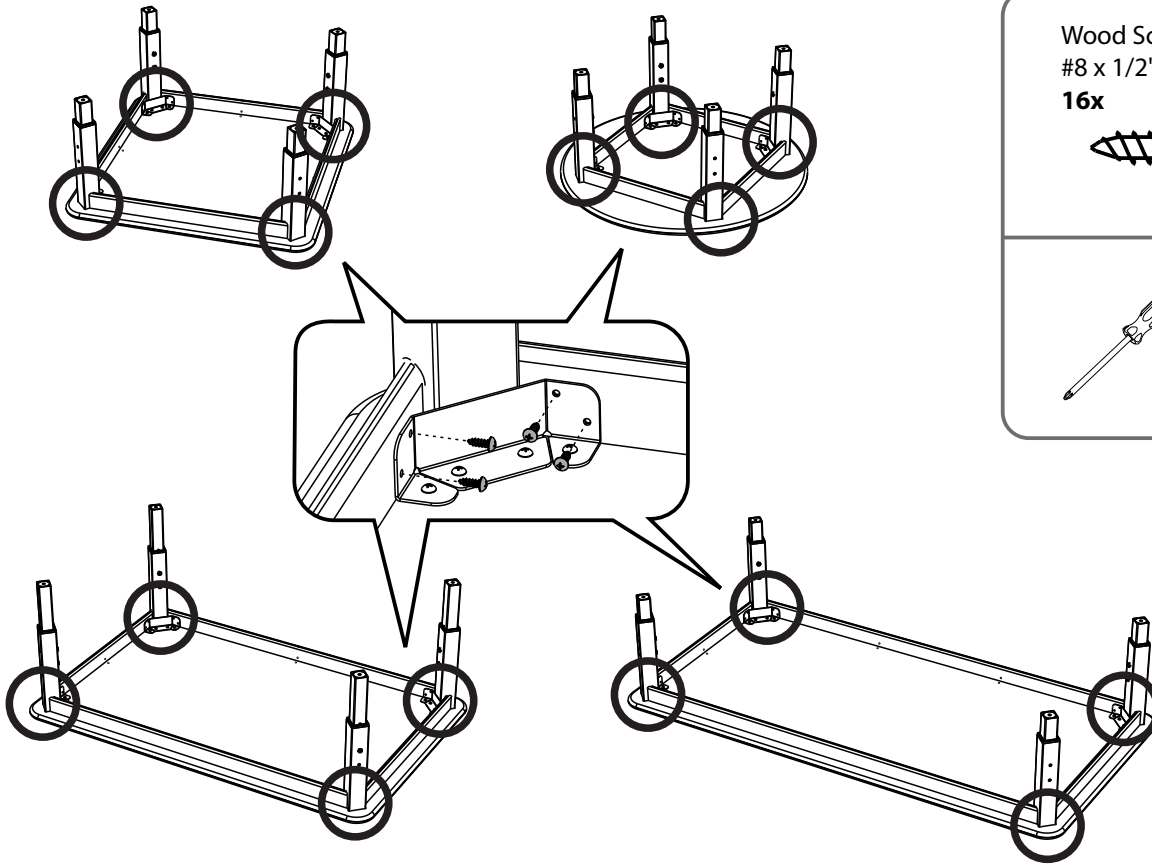
8x

or

12x (Rectangular 60" x 30" only)



3



Hardware

Wood Screw Round Head
#8 x 1/2"

16x



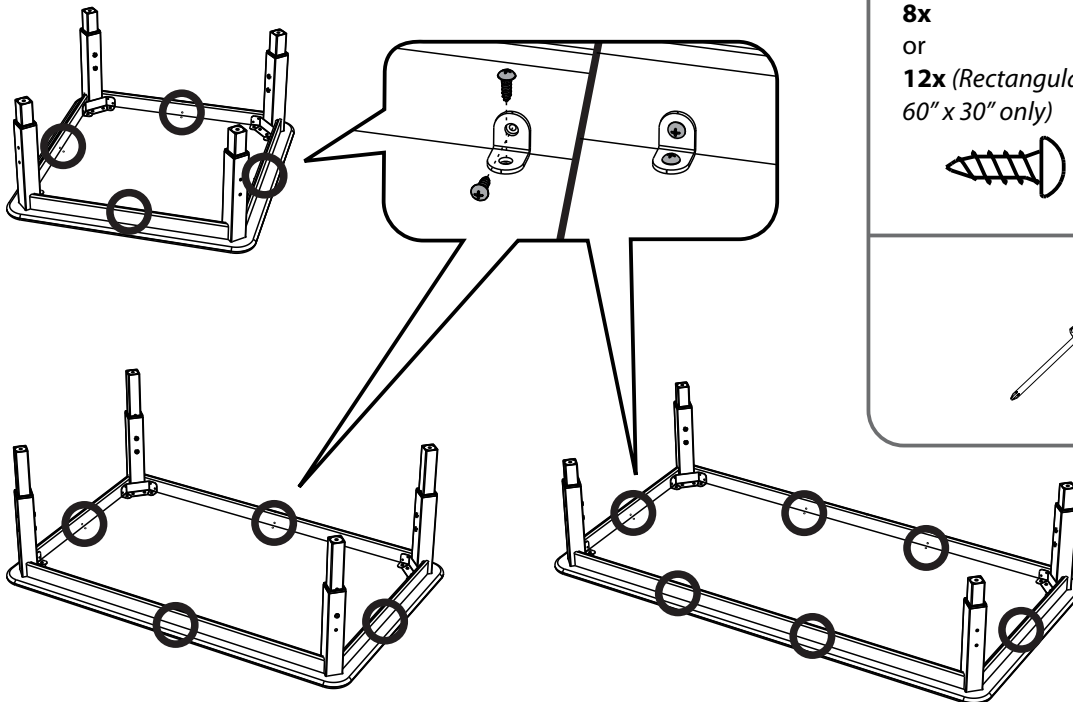
Tools



Phillips
Screwdriver
(Not included)
1x

4

Note: Skip this step if assembling round table.



Hardware

Wood Screw Round Head
#8 x 1/2"

8x

or

12x (Rectangular
60" x 30" only)



2 Hole L-Bracket
6x

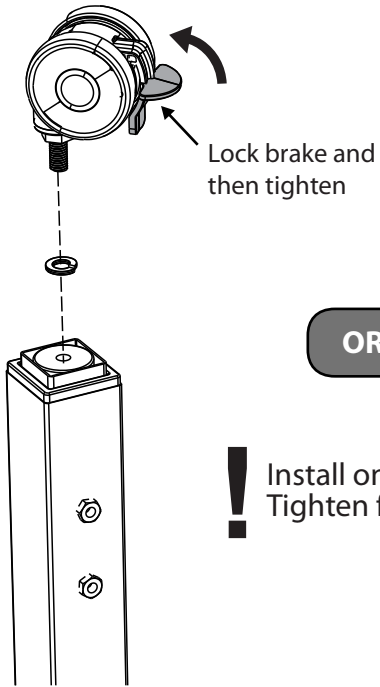


Tools



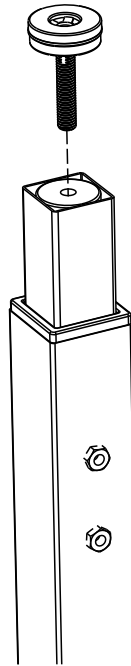
Phillips
Screwdriver
(Not included)
1x

5



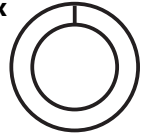
OR

! Install on all 4 legs.
Tighten fully.



Hardware

M10 Lock Washer
4x

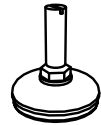


2.5" Twin Wheel Caster
4x



OR

M10 Levelling Foot
4x



6



2-Person Task

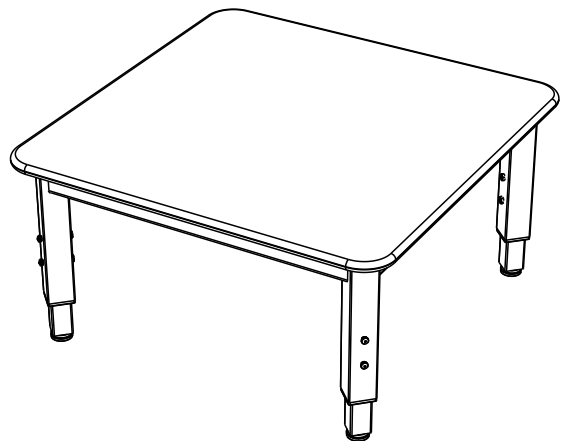
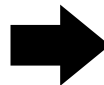
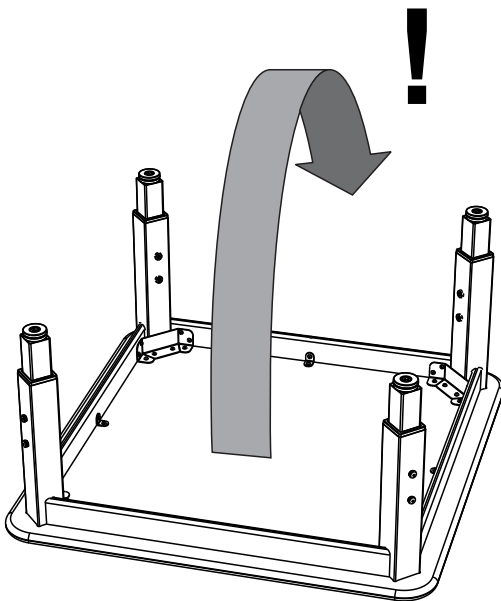
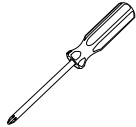
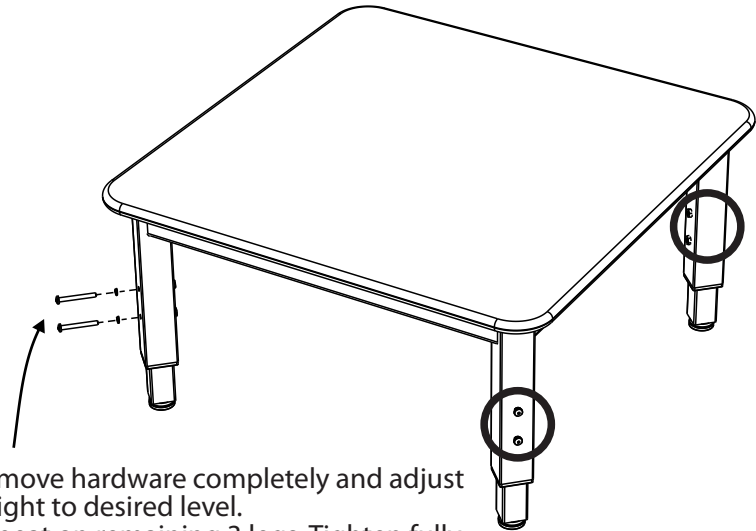


Table Height Adjustment

Tools



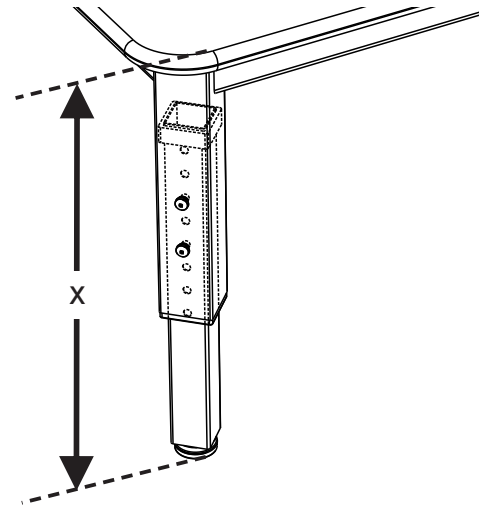
Phillips
Screwdriver
(Not included)
1x



- ! Remove hardware completely and adjust height to desired level.
- Repeat on remaining 3 legs. Tighten fully.

Table Height Recommendations by Age

Child Age	Table Height from Floor (x)
18-24 Months	15" (39 cm)
2-3 Years	16" (41 cm)
2-3 Years	17" (44 cm)
3-4 Years	18" (46 cm)
3-5 Years	19" (49 cm)
4-6 Years	20" (51 cm)



! Once table height has been set and tightened, use levellers to ensure table is level on floor. Tighten fully (wrench not included).