



## Assembly Guide

23210-IS2\_Amendment\_2022\_A

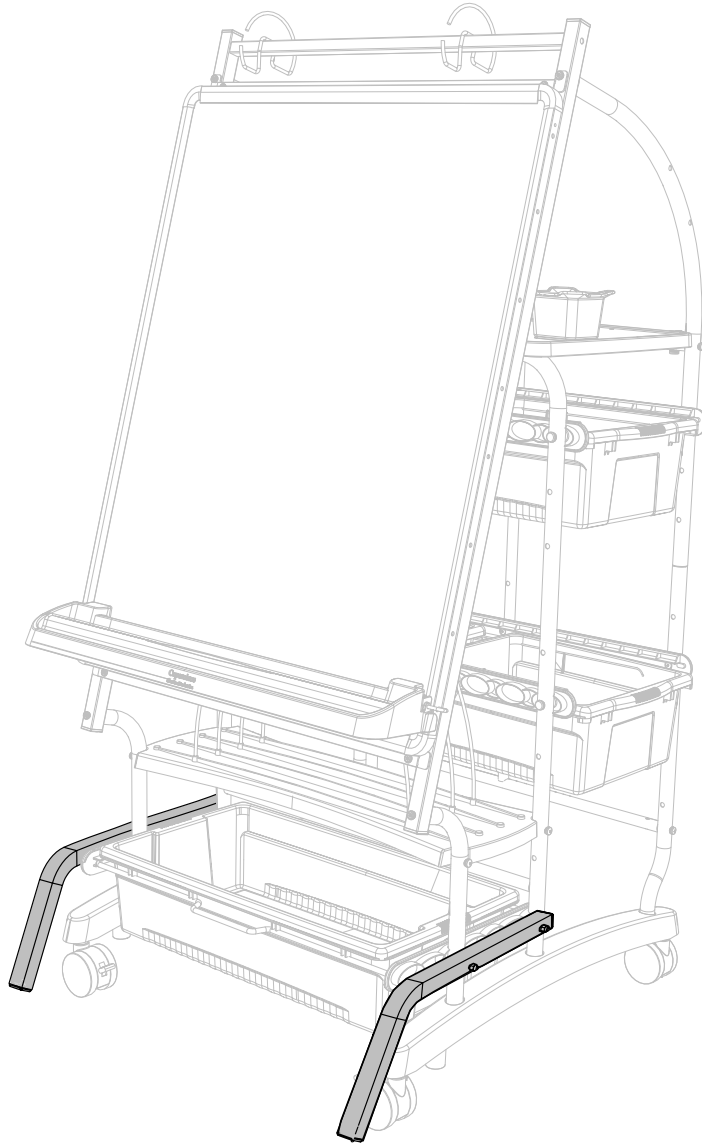
Check out our other products online at [www.copernicused.com](http://www.copernicused.com)

For assistance, please contact us:

**1-800-267-8494**

Email [info@copernicused.com](mailto:info@copernicused.com)

**Have your packing slip ready for reference**

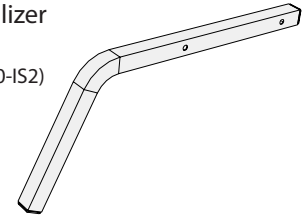


### Parts

(Not to Scale)

Stabilizer

**2x**  
(23210-IS2)



### Hardware

(Actual Size)

**(A)** M6 x 60mm Bolt

**4x**



**(B)** M6 Washer

**4x**



**(C)** M6 Lock Washer

**4x**



**(D)** M6 Nut

**4x**

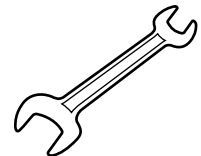


### Tools Included

(Not to Scale)

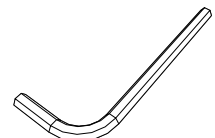
8mm/10mm  
Hex Wrench  
Not to Scale

**1x**



Allen Key

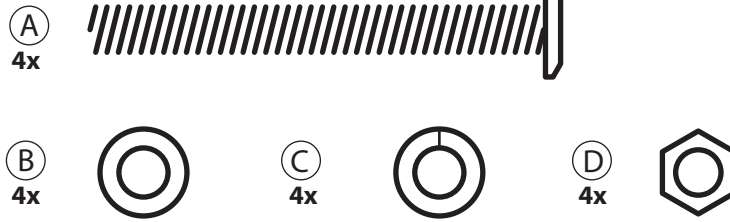
**2x**  
(43281)



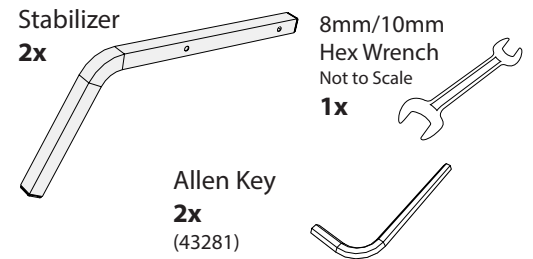
**!** When building your Inspiration Station easel, when you reach step 10 please follow this amendment instead. Continue with steps 11 and on using the regular assembly guide.

10

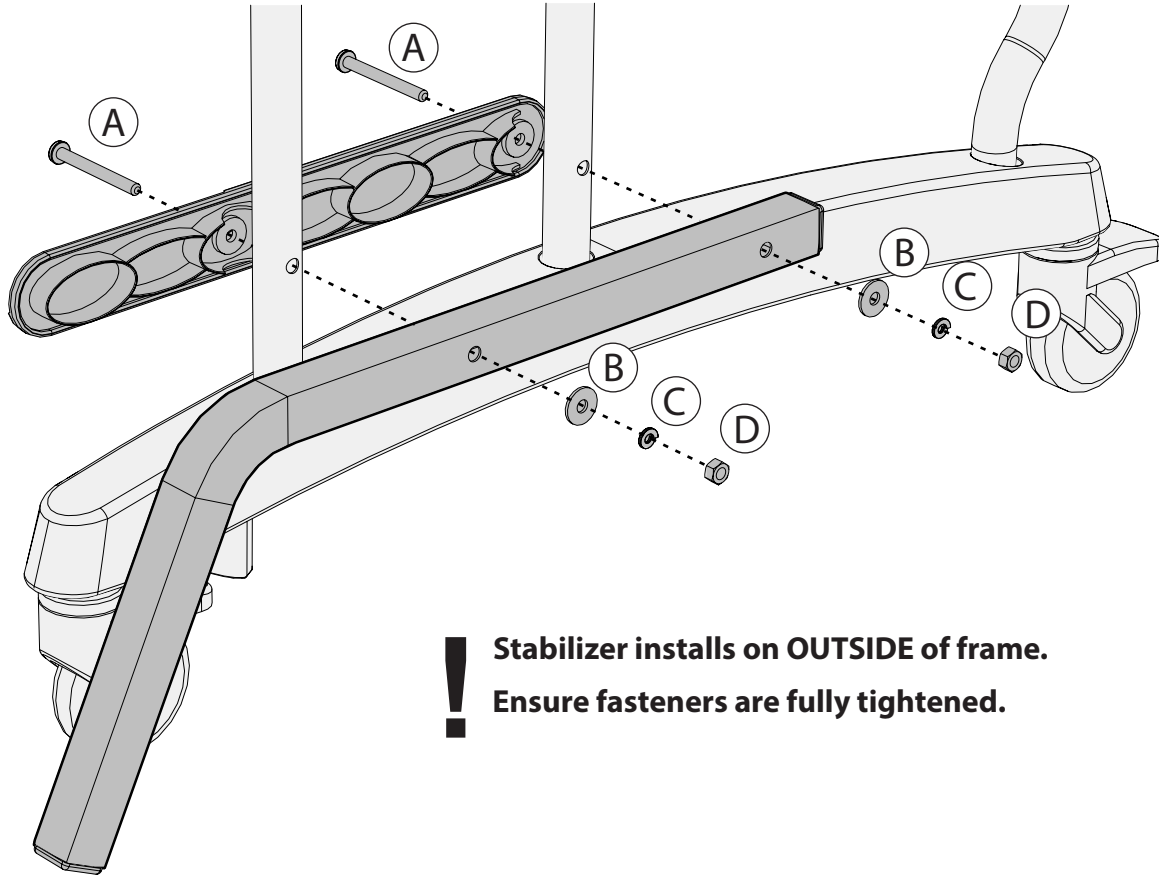
Actual Size:



You will need: (Not to Scale)



### Attach Stabilizers and Plastic Rails Repeat on left side



**!** Stabilizer installs on OUTSIDE of frame.  
Ensure fasteners are fully tightened.



### Check Stabilizers Regularly

Keep the wrench provided with the parts and ensure their tightness.

Check stabilizer fasteners 3 months after the initial installation and then every year afterwards.

Check for any damage to the plastic bases yearly and if anything is discovered, please contact customer service immediately at 1-800-267-8494.