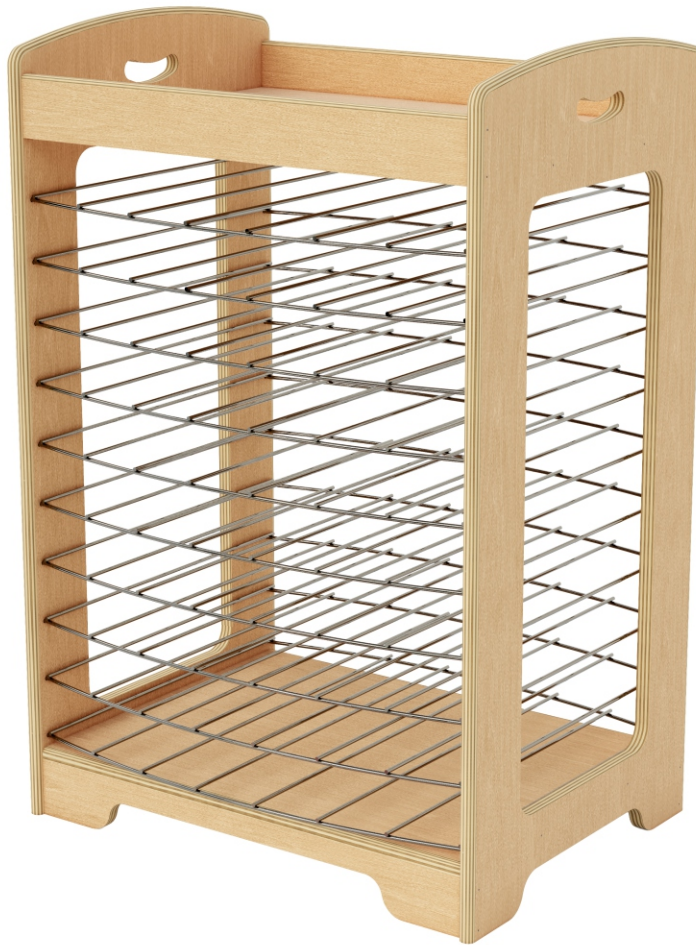


Art Drying Rack

SKU:

W-B-DR

W-B-DR-C



**Do Not Use Power
Tools for Assembly**

Important Information!



Adult Supervision

This product contains small parts when unassembled that can be hazardous to small children, and should be used under the supervision of an adult.



Climb Hazard

Do not climb on, hang on, or suspend objects from any component of this product unless otherwise specified.



Indoor Use Only

This product is intended for indoor commercial use only. To reduce risk of damage, do not expose this product to rain or moisture.



For missing parts and other issues regarding your product:

Please contact customer service, where we will be happy to help.
1-800-267-8494 Monday - Friday 8:00am - 4:30pm EST
info@copernicused.com



Register Your Product

Register your product to make future warranty claims quick and easy.

Visit:

www.copernicused.com/warranty

Make a Warranty Claim

We offer a lifetime warranty and free replacement parts on almost everything we make.

Call **1-800-267-8494** or

email info@copernicused.com

Proof of purchase required.

Tips for Assembly:



2-Person Task

For safety, please have someone help you when working on steps displaying this symbol.



The symbol denotes a step needing extra attention to ensure it is done correctly.

Wood & Softouch Maintenance:



When needed, wipe down with mild soapy water.

Wipe cleaning solution off immediately after use.

Recommended cleaning is once monthly, and at minimum, once per school year.

Harsh chemicals like bleach and ammonia based cleaners can be hard on surface finishes. If disinfecting using harsh chemicals is required, we recommend:

50:1 - Water : Bleach solution

DO NOT leave standing water/solution on product.

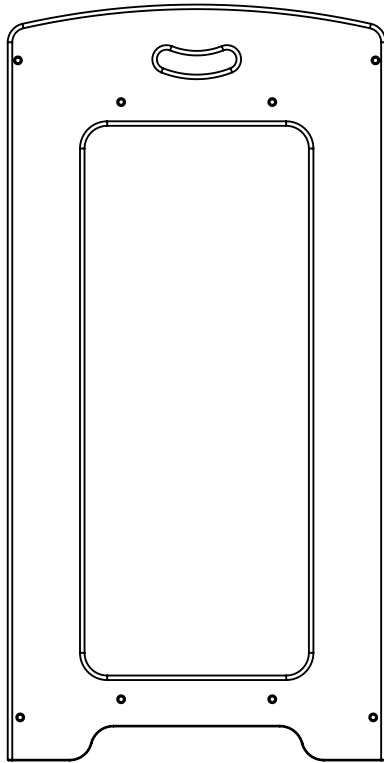
DO NOT use abrasive cleaners or sponges

Organic materials, including birch and other woods, feature natural variations in color and grain pattern, and visual irregularities where growth nodes or knots exist. The particular color or pattern of any one part or product may vary from one item to another, and it may change slightly with age. These natural variations are considered normal and do not constitute a defect covered under warranty.



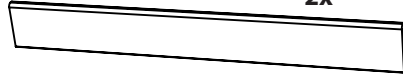
Parts

Before beginning, you should have:

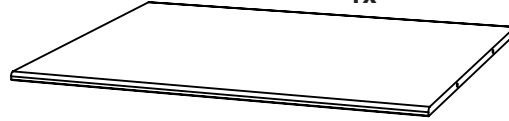


Side Gable
(391169-XX)
2x

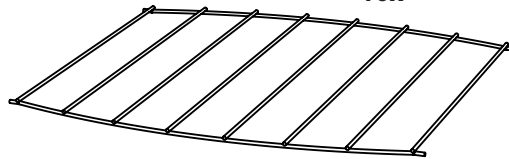
Top Shelf Wall
(391170)
2x



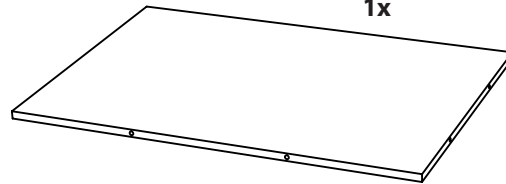
Top Shelf
(391167)
1x



Wire Rack
(310701)
10x



Bottom Shelf
(391168)
1x



Hardware

M7 x 40 Self Tapping Screw
(43508)
16x

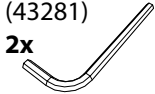


Dowel
(43550)
16x



Tools

Allen Key
(43281)
2x



Kickplate
(391168)
2x

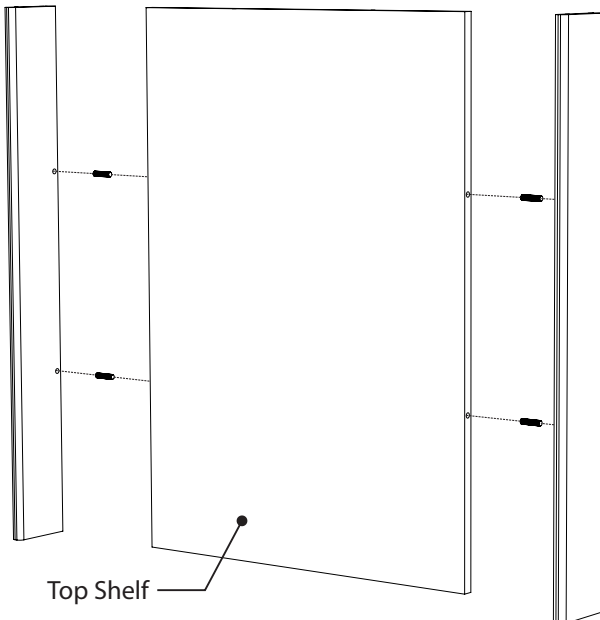


1

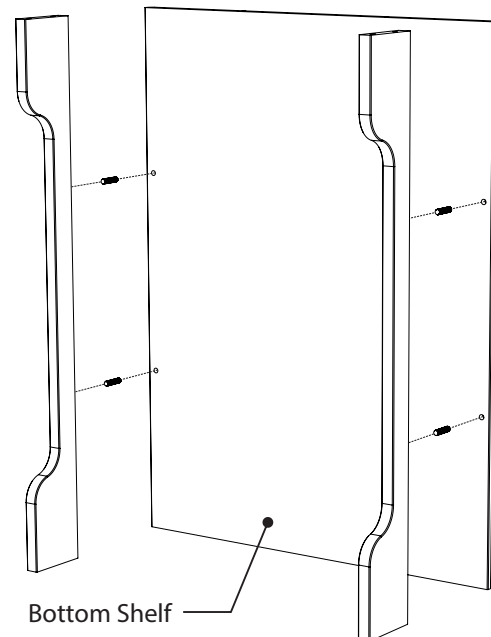
! Press together using dowels

Hardware

Dowel
(43550)
8x

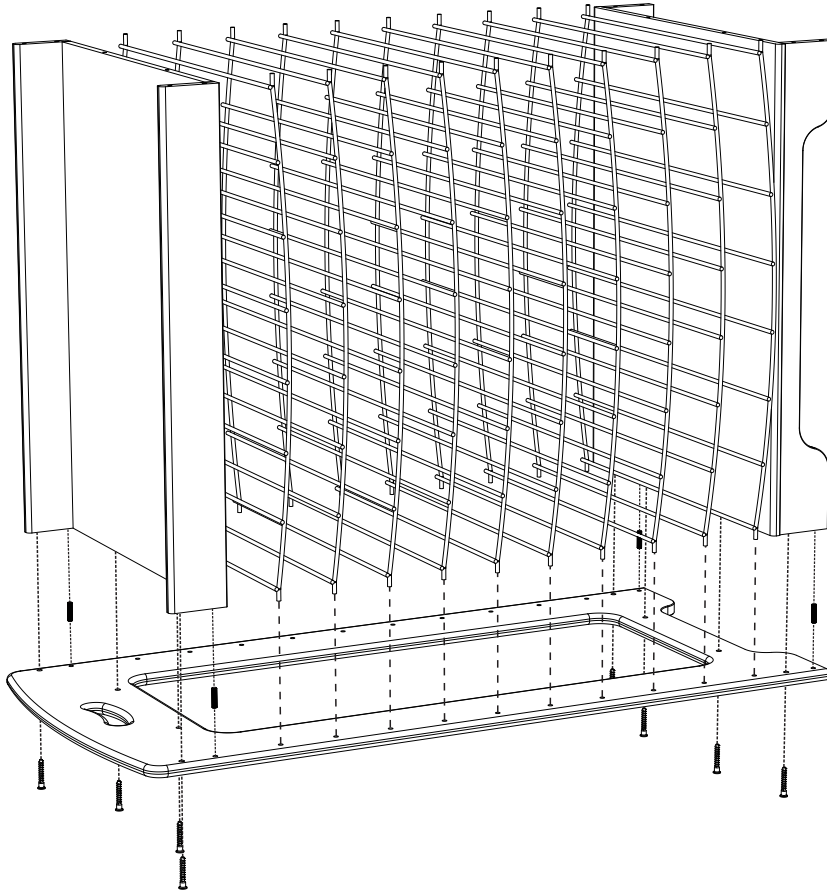


Top Shelf



Bottom Shelf

2



Hardware

M7 x 40 Self Tapping Screw (43508)

8x



Dowel (43550)

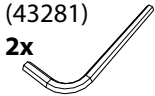
4x



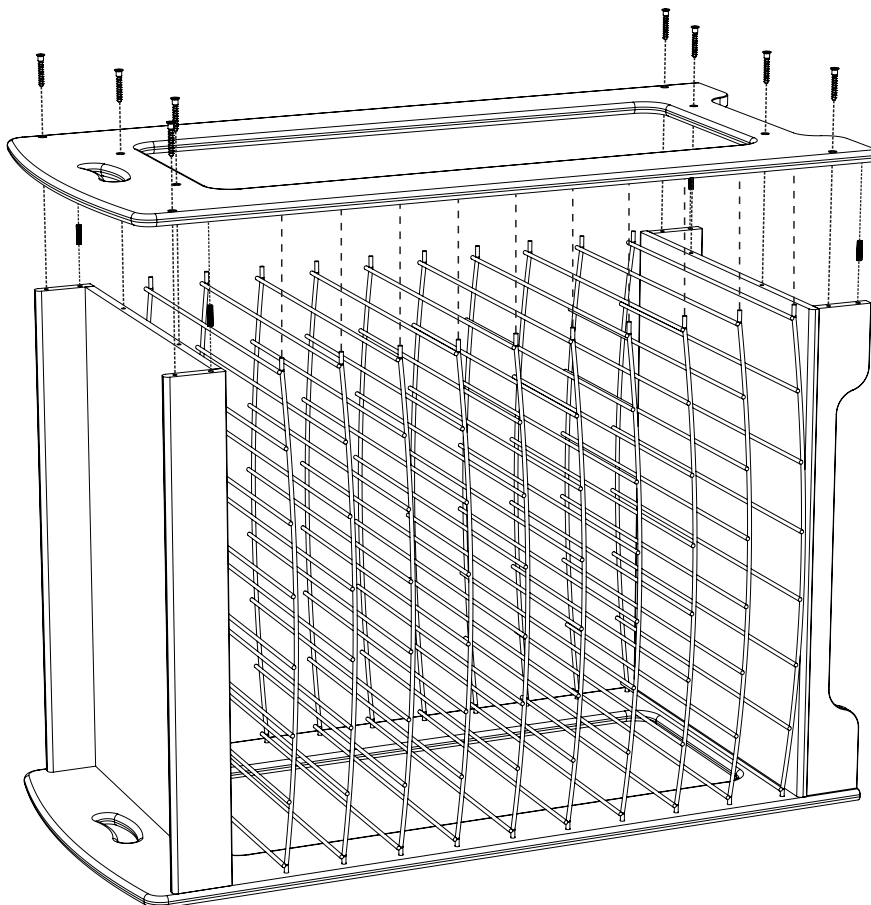
Tools

Allen Key (43281)

2x



3



Hardware

M7 x 40 Self Tapping Screw (43508)

8x



Dowel (43550)

4x



Tools

Allen Key (43281)

2x

