

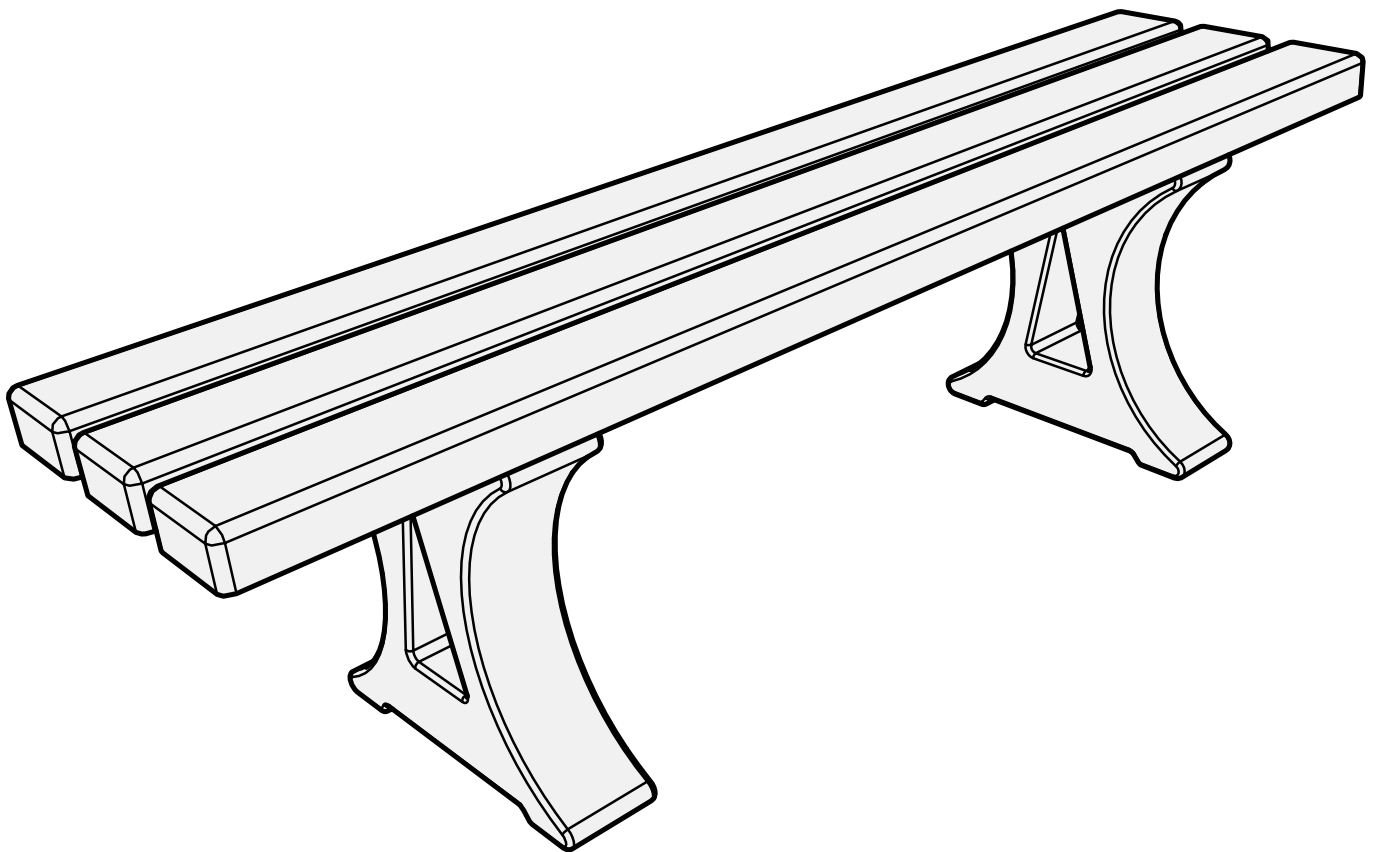


## Assembly Guide

Check out our other products online at [www.copernicused.com](http://www.copernicused.com)

For assistance, please contact us by telephone at **1-800-267-8494** or email at [info@copernicused.com](mailto:info@copernicused.com).

Have your packing slip ready for reference.



# Customer Service & Warranty Information

Dear Educator,

Thank you for purchasing the Outdoor Bench. We hope it meets your expectations and you and your students enjoy using it at your school.

Every day we see and hear stories of teachers going above and beyond to help students thrive. Thank you so much for all you do – you are awesome, and you make a difference.

Thank you for inspiring us.

If you have any questions, concerns or ideas on how we can improve please let us know by contacting our Customer Solutions Ninjas at 1-800-267-8494 or [info@copernicused.com](mailto:info@copernicused.com).

Happy teaching,

Kaylyn Belcourt, President  
[kaylyn@copernicused.com](mailto:kaylyn@copernicused.com)



We do not inherit the earth from our ancestors, we borrow it from our children.

- NATIVE AMERICAN PROVERB

Change is the end result of all true learning.

- LEO BUSCAGLIA

What you leave behind is not what is engraved in stone monuments, but what is woven into the lives of others.

- PERICLES

Education is the most powerful weapon which you can use to change the world.

- NELSON MANDELA

## For missing parts and other issues regarding your product:

Please contact Customer Service, where we will be happy to help.

Telephone: 1-800-267-8494, Monday - Friday 8:00am - 4:30 pm EST

Email: [info@copernicused.com](mailto:info@copernicused.com)

**Need Support?  
Have a Question?**



[Email Customer Service](mailto:info@copernicused.com)

**Check out some of our  
other great products!**



[www.copernicused.com](http://www.copernicused.com)



## Register your Product

Registering your warranty ensures we have all the information we need to make any future warranty claims quick and easy. Please visit [www.copernicused.com/warranty](http://www.copernicused.com/warranty) and complete the form within 10 business days from product assembly. By registering your product, you will be entered into a draw to win Copernicus product.

# Tips for Assembly

## Before You Begin:

- Lay out and identify all of the included parts.
- The hardware has been packed together in one bag.
- Read the assembly guide over once to familiarize yourself with them.

## As You Assemble the Unit:

- Follow the steps in sequence.
- Before beginning each step, find the part(s) that you need for that step.
- The title of each step states what you will be doing. Review the text and the pictures as you build the unit.

## Watch for These Helpful Symbols:



For safety, please have someone help you when working on steps displaying this symbol.



The symbol denotes a step needing extra attention to ensure it is done correctly.



# Important Information! Warning!

Please read the warnings below for important safety information regarding your product. Failure to read these warnings or to follow the instructions below could result in personal injury or damage to your product that could void your warranty.



### Small Parts

In its unassembled state, this product contains parts that can be hazardous to small children. This product should be assembled by an adult.



### Adult Supervision

This product is to be used under the supervision of an adult.

# Parts

## Before beginning, you should have:

Additional tools required:

Drill  
1x



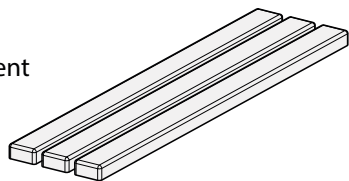
Drillbit 5/32"  
1x



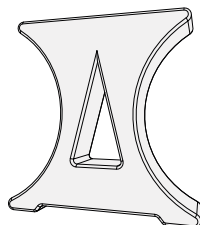
Screwdriver  


OD-B3B

Seating Element  
1x

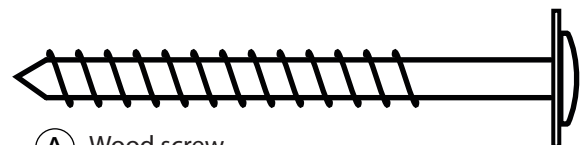


Bench Foot  
2x



← Inside

Hardware  
Actual Size



(A) Wood screw,  
Torx. 8 x 70mm,  
4x

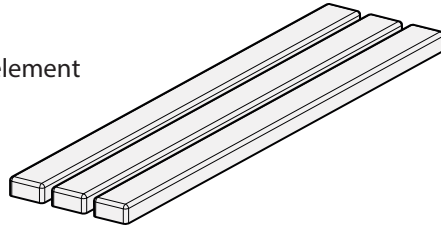


Bit, TX 25/40,  
1x

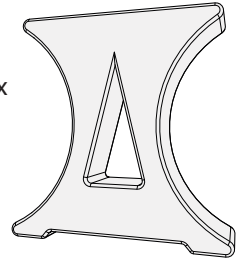
1

You will need: (Not to Scale)

Seating element  
1x

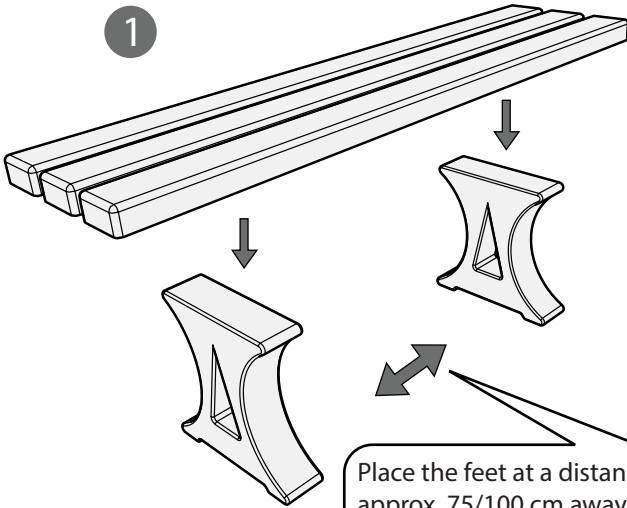


Bench Foot 2x



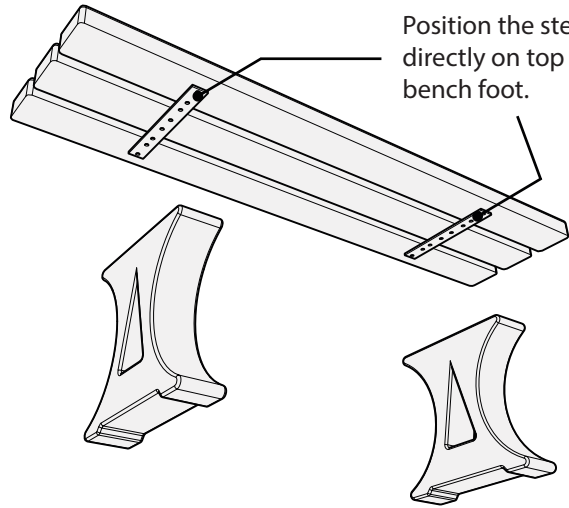
2-Person Task

1



Place the feet at a distance of approx. 75/100 cm away and parallel to each other.

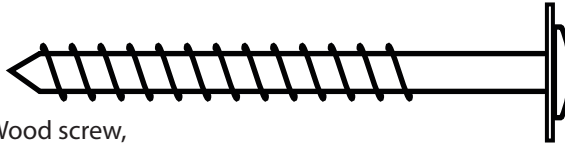
2



Position the steel plate directly on top of bench foot.

2

Actual Size:



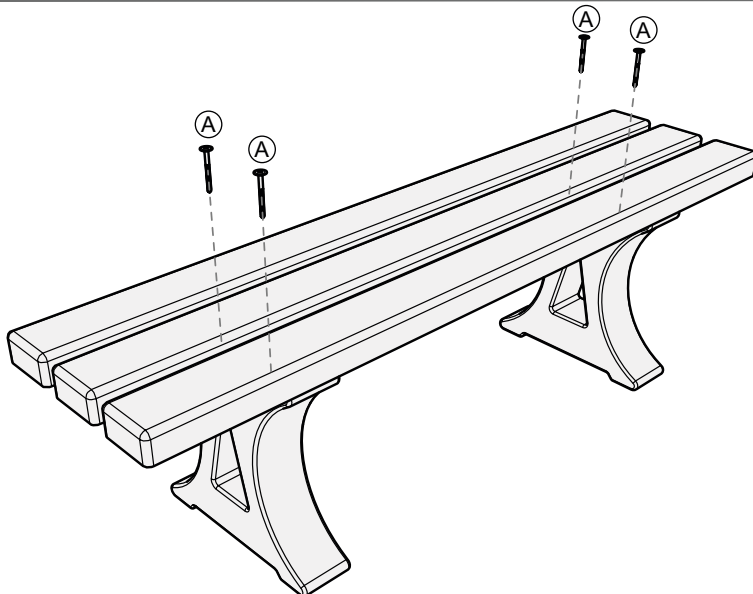
A

Wood screw,  
Torx. 8 x 70mm,  
4x

Drill  
1x



2-Person Task



**!** Use a 5/32" drill bit to make pilot holes in the bench feet, through the holes of steel plate. Fasten the seat element to the bench foot with the screws supplied.

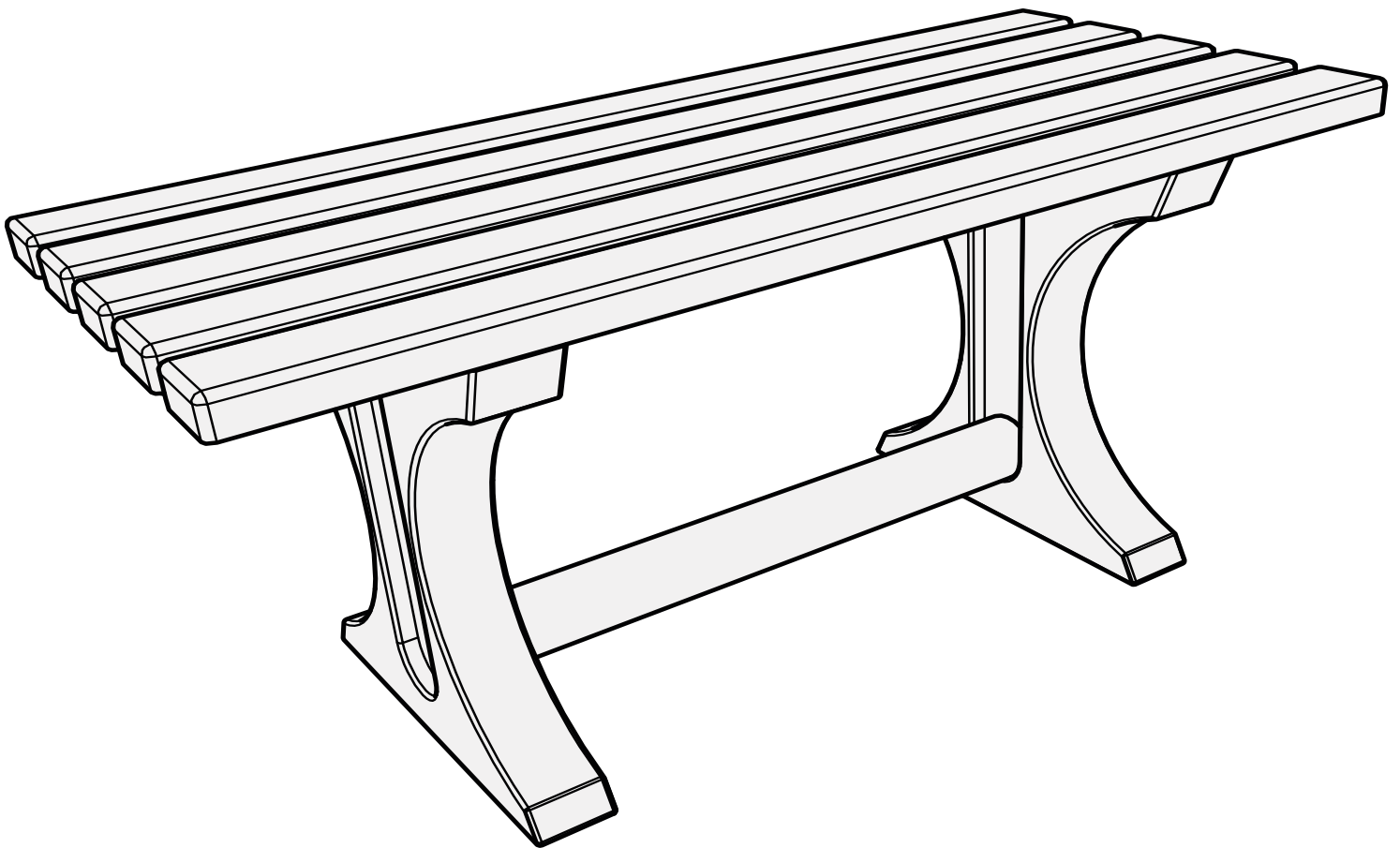


## Assembly Guide

Check out our other products online at [www.copernicused.com](http://www.copernicused.com)

For assistance, please contact us by telephone at **1-800-267-8494** or email at [info@copernicused.com](mailto:info@copernicused.com).

Have your packing slip ready for reference.



# Customer Service & Warranty Information

Dear Educator,

Thank you for purchasing the Outdoor Table. We hope it meets your expectations and you and your students enjoy using it at your school.

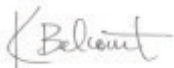
Every day we see and hear stories of teachers going above and beyond to help students thrive. Thank you so much for all you do – you are awesome, and you make a difference.

Thank you for inspiring us.

If you have any questions, concerns or ideas on how we can improve please let us know by contacting our Customer Solutions Ninjas at 1-800-267-8494 or [info@copernicused.com](mailto:info@copernicused.com).

Happy teaching,

Kaylyn Belcourt, President  
[kaylyn@copernicused.com](mailto:kaylyn@copernicused.com)



We do not inherit the earth from our ancestors, we borrow it from our children.

- NATIVE AMERICAN PROVERB

Change is the end result of all true learning.

- LEO BUSCAGLIA

What you leave behind is not what is engraved in stone monuments, but what is woven into the lives of others.

- PERICLES

Education is the most powerful weapon which you can use to change the world.

- NELSON MANDELA

## For missing parts and other issues regarding your product:

Please contact Customer Service, where we will be happy to help.

Telephone: 1-800-267-8494, Monday - Friday 8:00am - 4:30 pm EST

Email: [info@copernicused.com](mailto:info@copernicused.com)

**Need Support?  
Have a Question?**



[Email Customer Service](mailto:info@copernicused.com)

**Check out some of our  
other great products!**



[www.copernicused.com](http://www.copernicused.com)



## Register your Product

Registering your warranty ensures we have all the information we need to make any future warranty claims quick and easy. Please visit [www.copernicused.com/warranty](http://www.copernicused.com/warranty) and complete the form within 10 business days from product assembly. By registering your product, you will be entered into a draw to win Copernicus product.

# Tips for Assembly

## Before You Begin:

- Lay out and identify all of the included parts.
- The hardware has been packed together in one bag.
- Read the assembly guide over once to familiarize yourself with them.

## As You Assemble the Unit:

- Follow the steps in sequence.
- Before beginning each step, find the part(s) that you need for that step.
- The title of each step states what you will be doing. Review the text and the pictures as you build the unit.

## Watch for These Helpful Symbols:



2-Person Task

For safety, please have someone help you when working on steps displaying this symbol.



The symbol denotes a step needing extra attention to ensure it is done correctly.



# Important Information! Warning!

Please read the warnings below for important safety information regarding your product. Failure to read these warnings or to follow the instructions below could result in personal injury or damage to your product that could void your warranty.



### Small Parts

In its unassembled state, this product contains parts that can be hazardous to small children. This product should be assembled by an adult.



### Adult Supervision

This product is to be used under the supervision of an adult.

# Parts

## Before beginning, you should have:

Additional tools required:

Drill  
1x



+

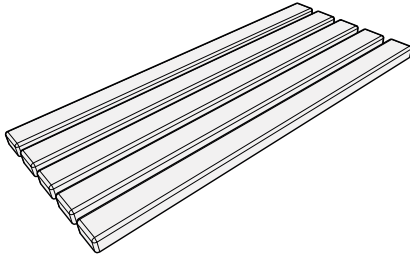
Drillbit 5/32"  
1x

+

Screwdriver  


OD-T3B

Table Element  
1x



Stabilizer  
1x

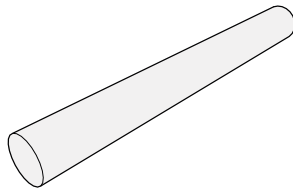
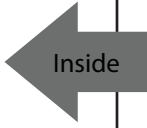
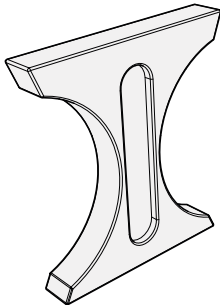
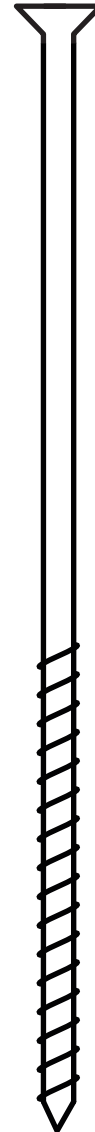


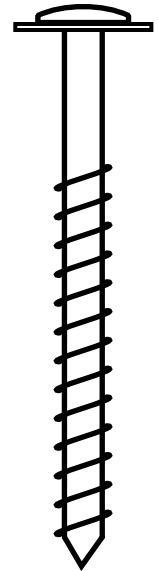
Table Foot  
2x



Hardware  
Actual Size



(A) Wood screw,  
Torx. 6 x 140mm,  
4x



(B) Wood screw,  
Torx. 8 x 70mm,  
8x



Bit, TX 25/40,  
1x



1

You will need: (Not to Scale)

Stabilizer  
1x

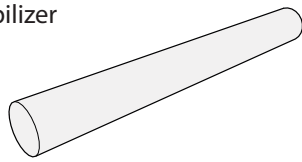
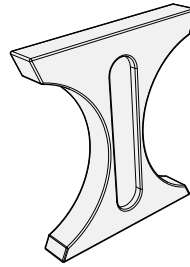


Table Foot  
2x

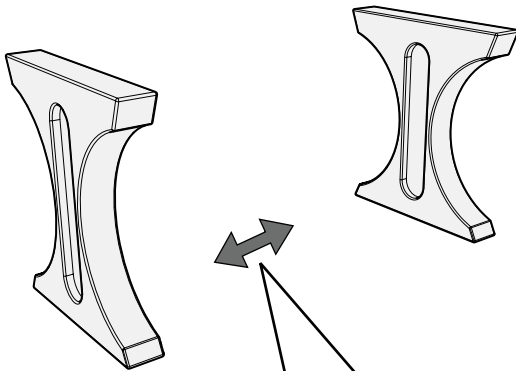


Wood screw,  
Torx. 6 x 140mm,  
4x



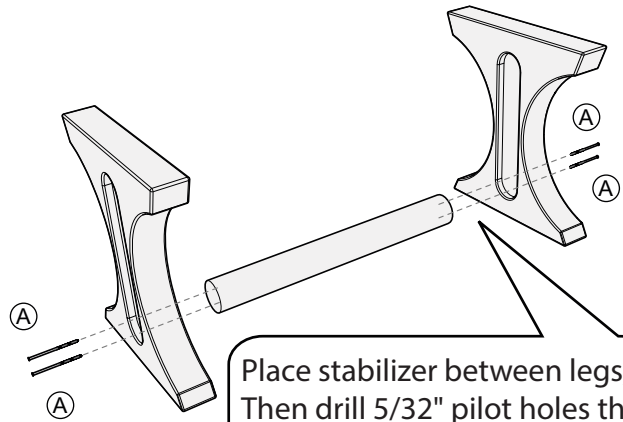
2-Person Task

1



Place the feet at a distance of approx. 75/100 cm away and parallel to each other.

2

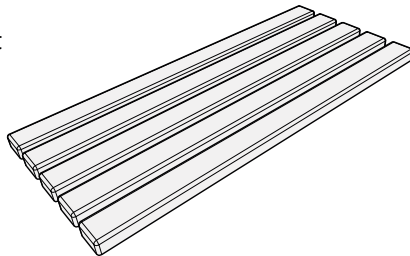


Place stabilizer between legs, Then drill 5/32" pilot holes through legs into stabilizer. Fasten stabilizer in place with screws

2

You will need: (Not to Scale)

Table Element  
1x



Wood screw,  
Torx. 8 x 70mm,  
8x

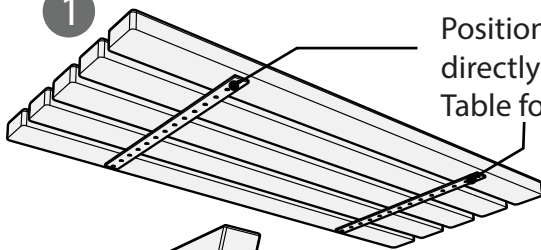


Drill  
1x

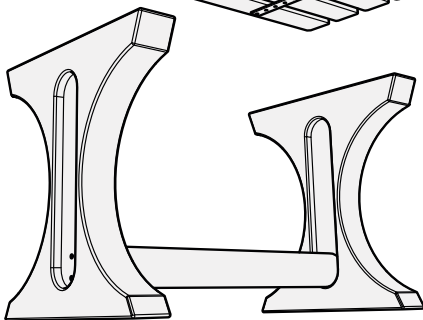


2-Person Task

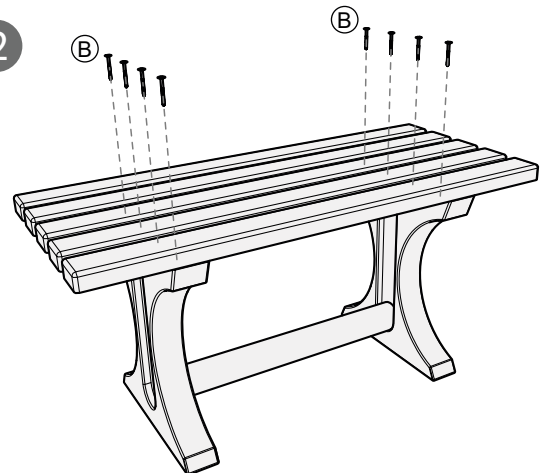
1



Position the steel plate directly on top of Table foot.



2



! Use a 5/32" drill bit to make pilot holes in the Table foot, through the holes of steel plate. Fasten the Table element to the table foot with the screws supplied.