



## Assembly Guide Amendment

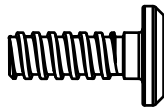
For assistance, please contact us:  
1-800-267-8494 or info@copernicused.com  
Have your packing slip ready for reference

**! This amendment replaces Step 3.1 of your assembly guide !**

### 3.1

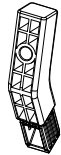
Actual Size:

Ⓒ  
2x



You will need: (Not to Scale)

Connector 1  
2x



Back Riser  
2x



Allen Key  
1x

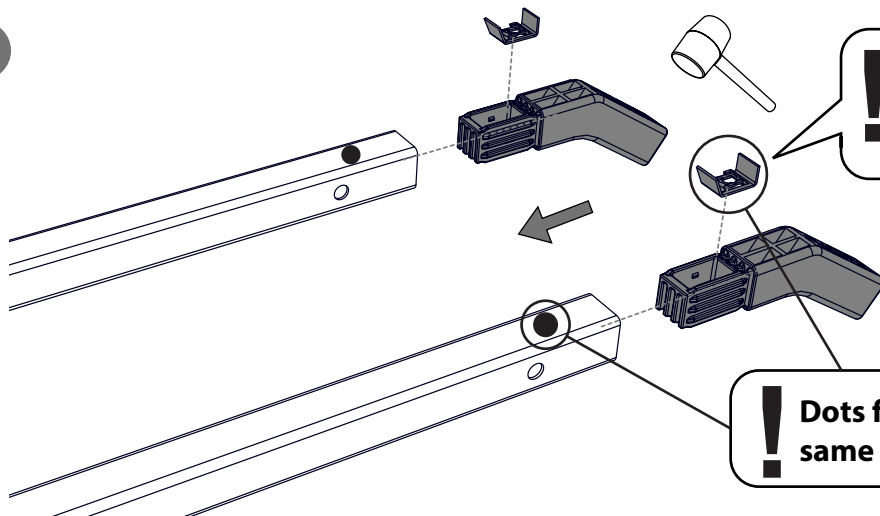


Rubber Mallet  
1x



### Assemble Back Frame

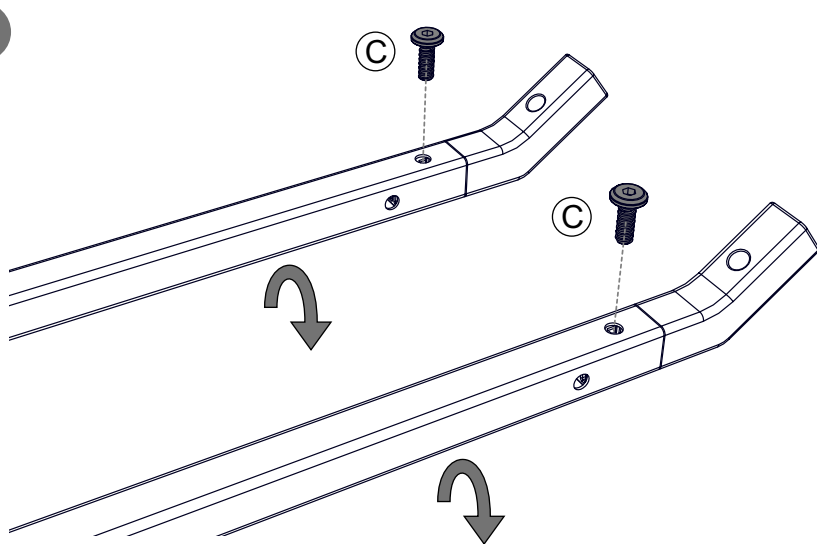
1



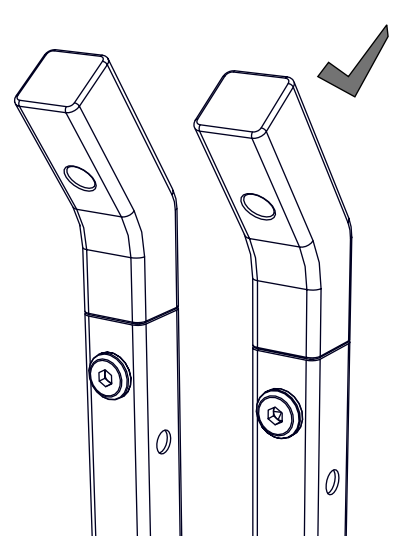
**! ATTENTION - Wedge nuts move when tapping in the connectors**

**! Dots face upward, same side as Wedge Nuts**

2



3



**...Continue to Step 3.2**

