



Assembly Guide

SCC-AC_SCC100_SCC200_2020_E

Check out our other products online at
www.copernicused.com

For assistance, please contact us:

1-800-267-8494

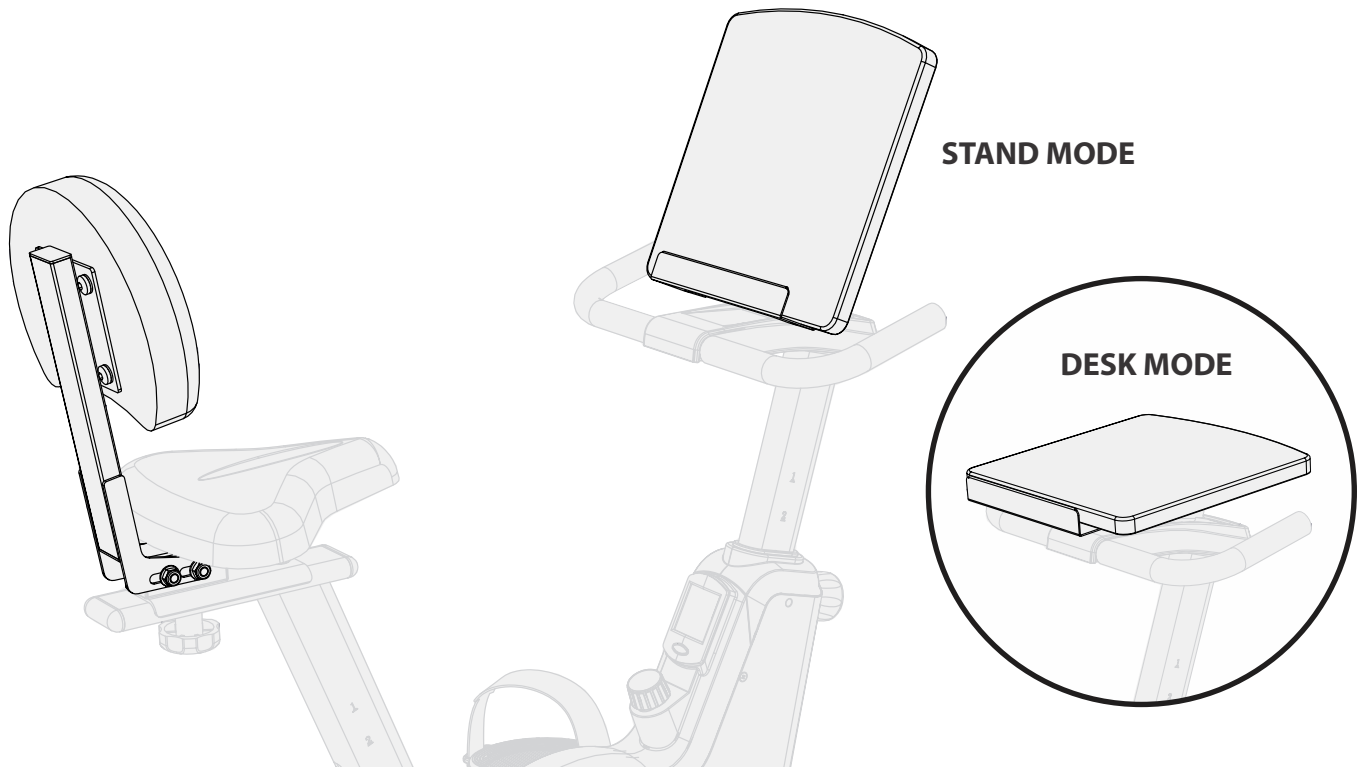
Email info@copernicused.com

Have your packing slip ready for reference

WARNING



- This product is meant to be assembled by an adult.
- In its unassembled state, small parts present a hazard.
- To be used under direct supervision of an adult.



This SCC-AC box contains the parts to assemble the backrest and desktop only.
 If you ordered the SCC100 or SCC200, you should also have an SCC102 **OR** SCC202 box.

Refer to the assembly instructions in the SCC102 or SCC202 box to assemble the bike
 before using this guide.





Assembly Guide
SCC-AC_SCC100_SCC200_2020_E

Check out our other products online at
www.copernicused.com

For assistance, please contact us:

1-800-267-8494

Email info@copernicused.com

Have your packing slip ready for reference

Dear Educator,

Thank you for purchasing the Self-regulation Classroom Cruiser. We hope it meets all your expectations and you and your students enjoy using it in your school.

If you have any questions, concerns or ideas on how we can improve please let us know by contacting our Customer Solutions Ninjas at 1-800-267-8494 or info@copernicused.com.

Happy teaching,

Kaylyn Belcourt
 President

We do not inherit the earth from our ancestors, we borrow it from our children.

Change is the end result of all true learning.

LEO BUSCAGLIA

NORTH AMERICAN
 PROVERB

What you leave behind is not what is engraved in stone monuments, but what is woven into the lives of others.

PERICLES

Education is the most powerful weapon which you can use to change the world.

NELSON MANDELA



Validate Your Warranty

To validate your warranty, submit the ON-LINE form at www.copernicused.com
Enter a draw to win a Copernicus Product for your classroom at the same time!



Warning! Hazard Risks!

Please read the warnings below for important safety information regarding your product. Failure to read these warnings or to follow the instructions below could result in personal injury or damage to your product that could void your warranty.



Small
Parts

In its unassembled state, this product contains parts that can be hazardous to small children. This product should be assembled by an adult.



Adult
Supervision

This product is to be used under the supervision of an adult.



Indoor Use
Only

This product is intended for indoor use only. To reduce the risk of fire or electric shock, do not expose this product to rain or moisture. The internal components are not sealed from the environment.

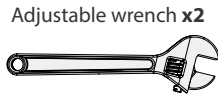


Climb Hazard

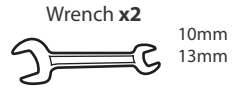
Do not climb on, hang from or suspend objects from any components of your product unless otherwise specified.

We have included a multi tool for your convenience. If you have your own wrenches and screwdriver, the assembly of this product will be easier.

Additional tools required:



OR



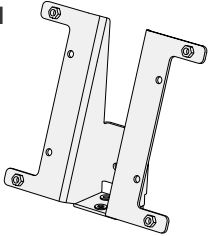
+



Contents - SCC-AC

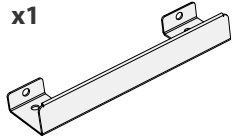
Desktop Bracket
(ZSCC-32003)

x1



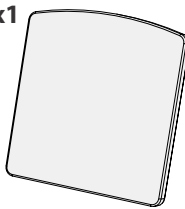
Desktop Ledge
(ZSCC-32002)

x1



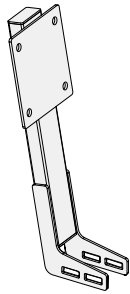
Desktop Platform
(ZSCC-32001)

x1



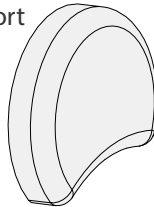
Back Support
Bracket
(ZSCC-32005)

x1



Back Support
Cushion
(ZSCC-21125)

x1



In SCC-AC

Hardware Actual Size

A M6 x 40mm
(ZSCC-43028)

x3



B M8 x 15mm
(ZSCC-43016)

x4



C M8 x 55mm Carriage Bolt
(ZSCC-43019)

x2



D M6 x 15mm
(ZSCC-43009)

x6



E M8 Flat Washer
(ZSCC-43022)

x6



F M8 Lock Nut
(ZSCC-43025)

x2



H M6 Flat Washer
(ZSCC-43026)

x6



I M6 Spring Washer
(ZSCC-43020)

x6



These items can be found in the same box as your Self-regulation Classroom Cruiser.

G M6 Lock Nut
(ZSCC-43027)

Actual Size

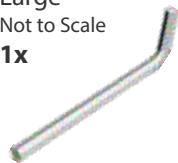
x3



Allen Key
Large

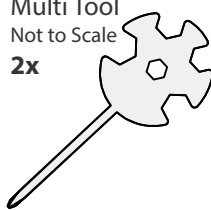
Not to Scale

x1



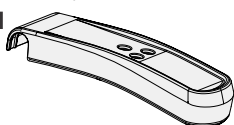
Multi Tool
Not to Scale

x2

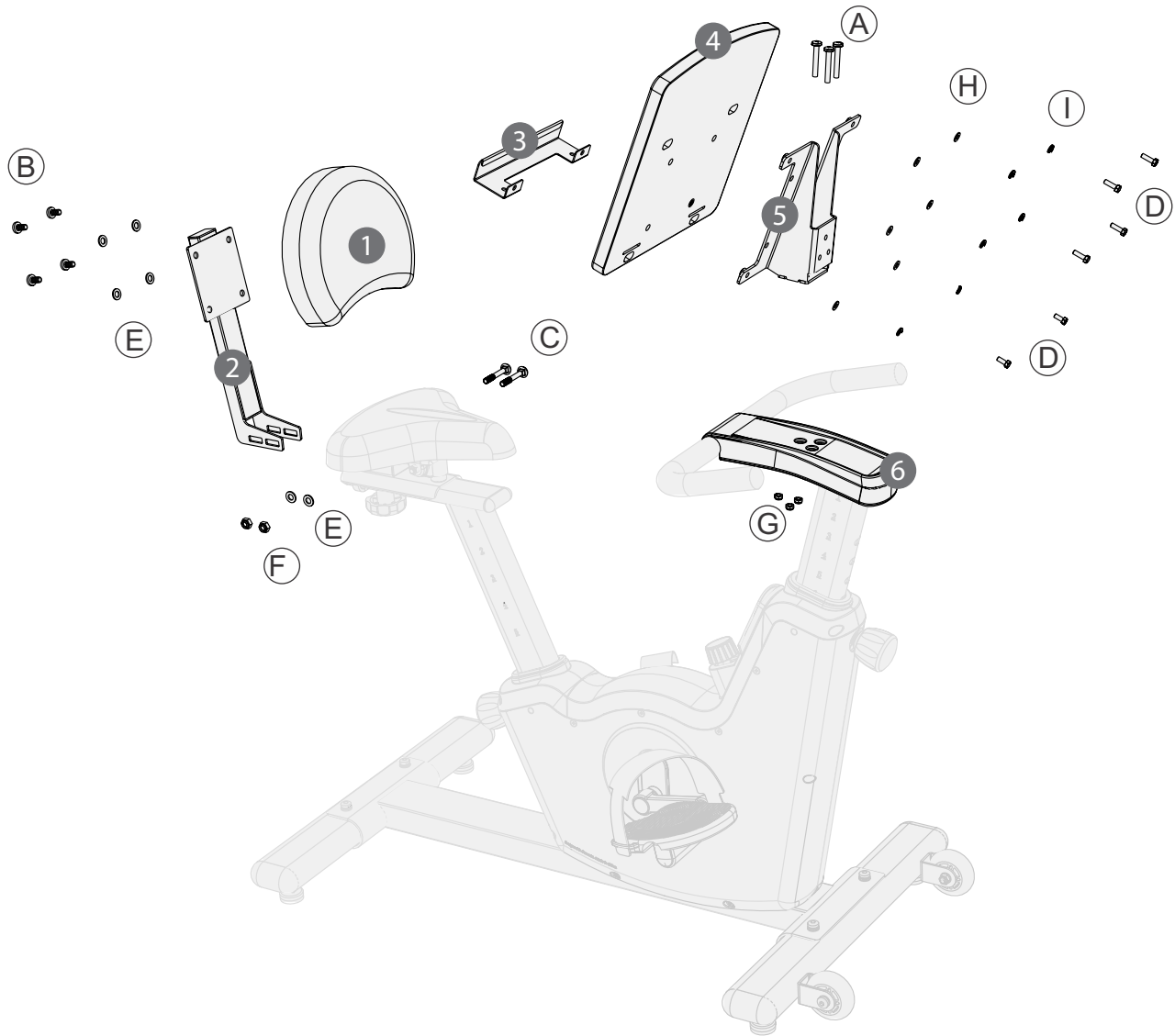


Handle Bar Cover
(ZSCC-21140)

x1



Exploded View



- | | |
|------------------------|--------------------|
| 1 Back Support Cushion | A M6 x 40mm Bolt |
| 2 Back Support Bracket | B M8 x 15mm Bolt |
| 3 Desktop Ledge | C M8 x 55mm Bolt |
| 4 Desktop Platform | D M6 x 15mm Bolt |
| 5 Desktop Bracket | E M8 Flat Washer |
| 6 Handlebar Cover | F M8 Lock Nut |
| | G M6 Lock Nut |
| | H M6 Flat Washer |
| | I M6 Spring Washer |

Tips for Assembly

Watch for These Helpful Symbols

This symbol denotes a 2-Person Task. For safety, please ensure that there are the suggested number of people working on steps displaying this symbol.



Watch for this symbol throughout the Assembly Guide. Wherever you see it, pay close attention. The symbol denotes a step needing extra attention to ensure it is done correctly.



The star symbol highlights an advisory note.



Before You Begin

- Lay out and identify all of the included parts.
- The hardware has been packed by step.
- Read the assembly guide over once to familiarize yourself with them.



 Please note that in its unassembled state, this product contains parts that can be hazardous to small children. This product should be assembled by an adult.

As You Assemble the Unit

- Follow the steps in sequence.
- Before beginning each step, find the part(s) that you need for that step.
- Pay attention to the labels on the parts; they are there to help direct you at certain stages.
- The title of each step states what you will be doing. Review the text and the pictures as you build the unit.

Customer Service - FAQ's



For missing parts and other issues regarding this product:

Please call Copernicus Customer Service, where we will be happy to help.

1-800-267-8494

Monday - Friday 8:30am - 4:30 pm EST.

OR

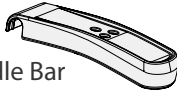
Email us

info@copernicused.com

1

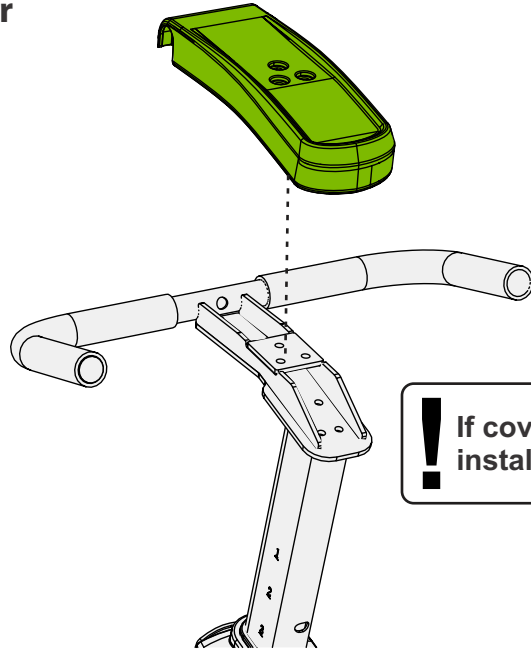
You will need: (Not to Scale)

Handle Bar
Cover
x1



Included inside
SCC102/SCC202 box

Place Cover on Handle Bar



! If cover and hardware are already installed, remove hardware.

2

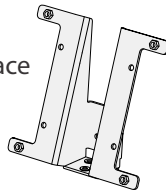
Actual Size:



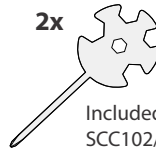
Included inside
SCC102/SCC202 box

You will need: (Not to Scale)

Work Surface
Bracket
x1

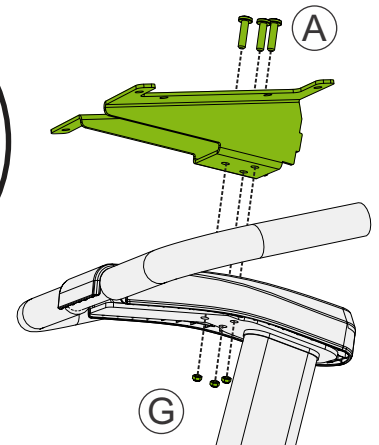
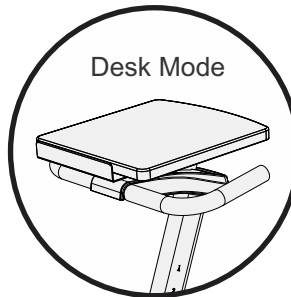
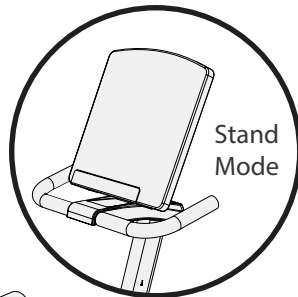
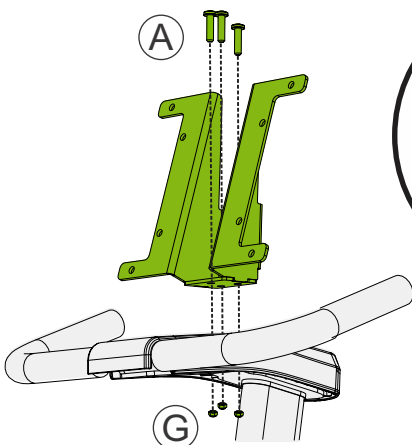


Multi Tool
2x



Included inside
SCC102/SCC202 box

Attach Work Surface Bracket



Choose between work surface orientations

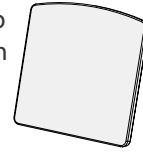
3

Actual Size:

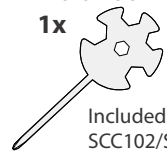


You will need: (Not to Scale)

Desktop Platform x1



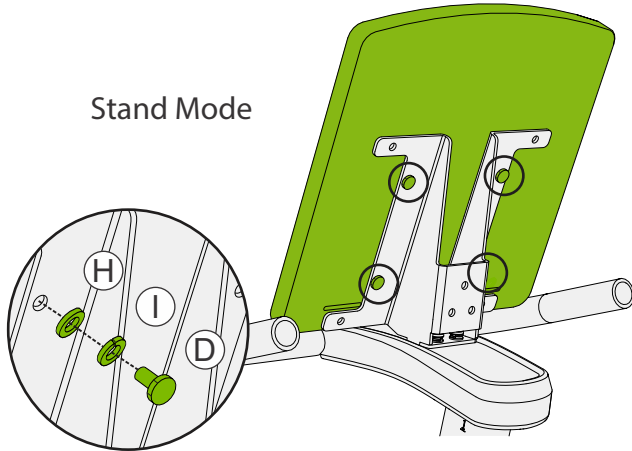
Multi Tool 1x



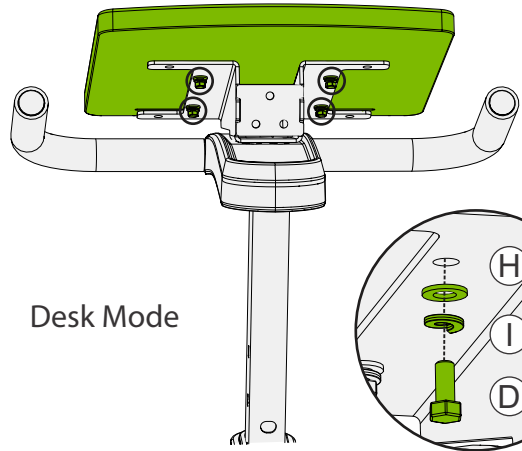
Included inside SCC102/SCC202 box

Attach Desktop Platform

Stand Mode



Repeat 4X



Repeat 4X

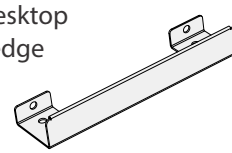
4

Actual Size:

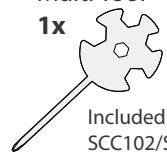


You will need: (Not to Scale)

Desktop Ledge x1



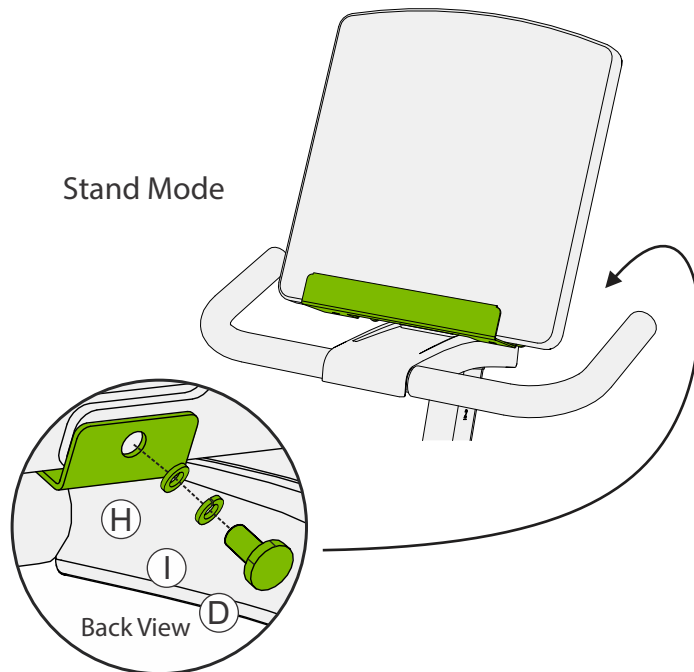
Multi Tool 1x



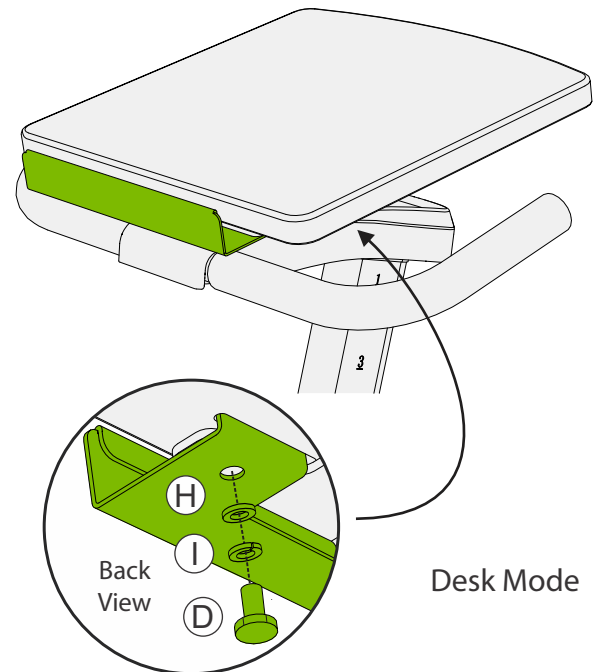
Included inside SCC102/SCC202 box

Attach Desktop Ledge

Stand Mode



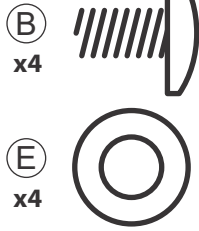
Repeat 2X



Repeat 2X

5

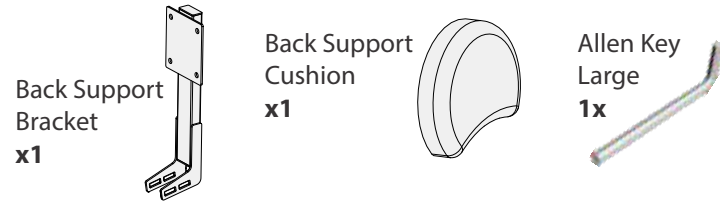
Actual Size:



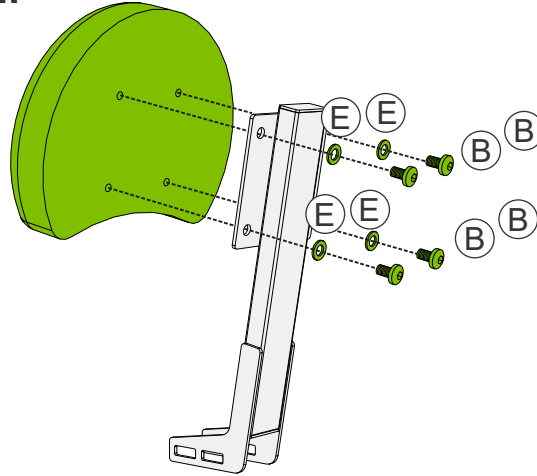
B x4

E x4

You will need: (Not to Scale)



Attach Back Support Cushion



6

Actual Size:

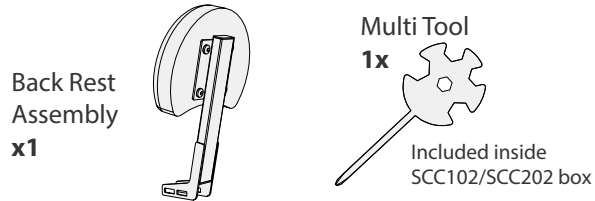


C x2

E x2

F x2

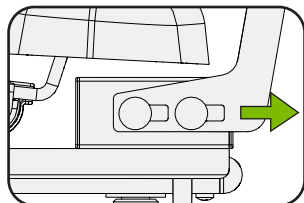
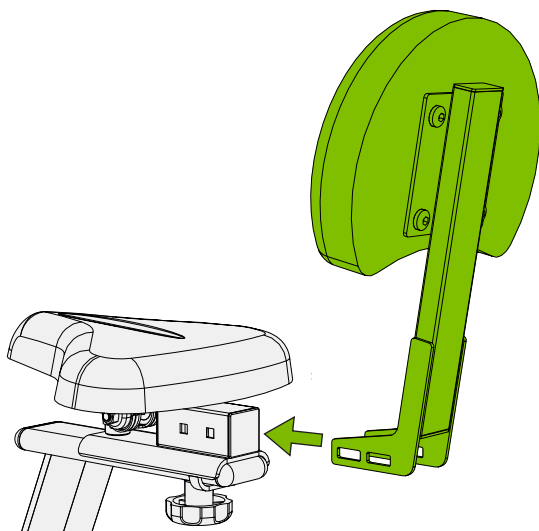
You will need: (Not to Scale)



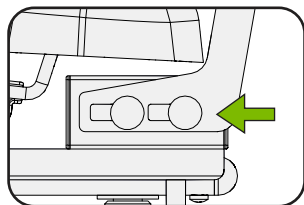
Attach Back Rest Assembly

1 Slide the back rest assembly onto fore-aft bracket

2 Secure with hardware



Back rest can slide backwards for larger users



Back rest can slide forwards for smaller users

