

BPC01  
BPC02

# Bamboo Paint Center



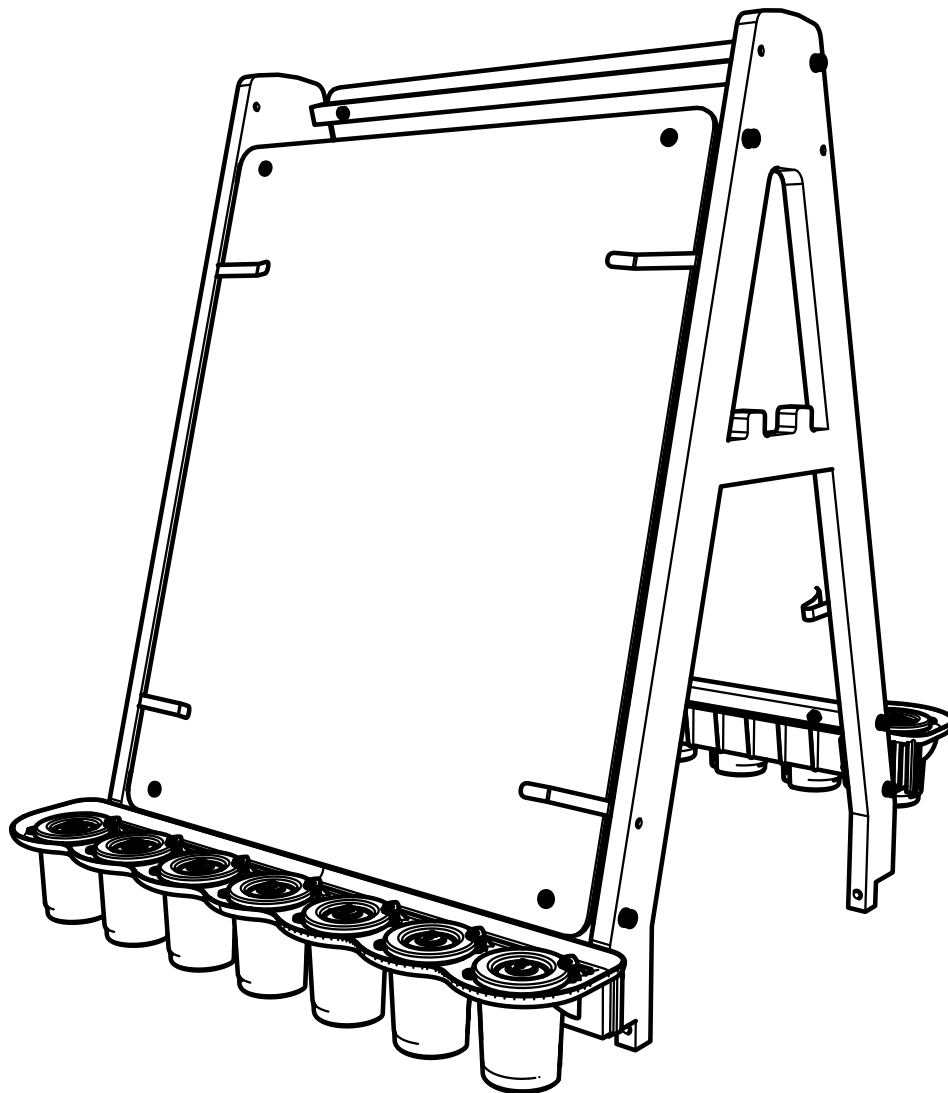
## Assembly Guide

Check out our other products online at [www.copernicused.com](http://www.copernicused.com)

For assistance, please contact us by telephone at **1-800-267-8494** or email at [info@copernicused.com](mailto:info@copernicused.com).  
Have your packing slip ready for reference.



**Do Not Use Power  
Tools for assembly**



**Please Recycle**

# Customer Service & Warranty Information

Dear Educator,

Thank you for purchasing the Bamboo Paint Center. We hope it meets your expectations and you and your students enjoy using it at your school.

Every day we see and hear stories of teachers going above and beyond to help students thrive. Thank you so much for all you do – you are awesome, and you make a difference.

Thank you for inspiring us.

If you have any questions, concerns or ideas on how we can improve please let us know by contacting our Customer Solutions Ninjas at 1-800-267-8494 or [info@copernicused.com](mailto:info@copernicused.com).

Happy teaching,

Kaylyn Belcourt, President  
[kaylyn@copernicused.com](mailto:kaylyn@copernicused.com)



We do not inherit the earth from our ancestors, we borrow it from our children.

- NATIVE AMERICAN PROVERB

Change is the end result of all true learning.

- LEO BUSCAGLIA

What you leave behind is not what is engraved in stone monuments, but what is woven into the lives of others.

- PERICLES

Education is the most powerful weapon which you can use to change the world.

- NELSON MANDELA

## For missing parts and other issues regarding your product:

Please contact Customer Service, where we will be happy to help.

Telephone: 1-800-267-8494, Monday - Friday 8:00am - 4:30 pm EST

Email: [info@copernicused.com](mailto:info@copernicused.com)

**Need Support?  
Have a Question?**



Email [Customer Service](mailto:Customer Service)

**Check out some of our  
other great products!**



[www.copernicused.com](http://www.copernicused.com)

**Lifetime**  
All Components  
Warranty

### Register your Product

Registering your warranty ensures we have all the information we need to make any future warranty claims quick and easy. Please visit [www.copernicused.com/warranty](http://www.copernicused.com/warranty) and complete the form within 10 business days from product assembly. By registering your product, you will be entered into a draw to win Copernicus product.

**5 Year**  
Whiteboard  
Warranty

### Make a Warranty Claim

We offer a Lifetime Warranty on almost everything we make. Please call **1-800-267-8494** or email [info@copernicused.com](mailto:info@copernicused.com) to start your warranty claim. Proof of purchase will be required upon warranty claim (i.e. copy of invoice).

### Replace your Whiteboard

Have a well-used whiteboard that needs replacing? Our whiteboards carry a five-year warranty and replacement parts program after the warranty period. Please call **1-800-267-8494** or email [info@copernicused.com](mailto:info@copernicused.com) to get a new whiteboard for your Copernicus product!

# Tips for Assembly

## Before You Begin:

- Lay out and identify all of the included parts.
- The hardware has been packed according to step
- Read the assembly guide over once to familiarize yourself with them.

## As You Assemble the Unit:

- Follow the steps in sequence.
- Before beginning each step, find the part(s) that you need for that step.
- The title of each step states what you will be doing. Review the text and the pictures as you build the unit.

## Watch for These Helpful Symbols:



2-Person Task

For safety, please have someone help you when working on steps displaying this symbol.



The symbol denotes a step needing extra attention to ensure it is done correctly.



# Important Information! Warning!

Please read the warnings below for important safety information regarding your product. Failure to read these warnings or to follow the instructions below could result in personal injury or damage to your product that could void your warranty.



### Small Parts

In its unassembled state, this product contains parts that can be hazardous to small children. This product should be assembled by an adult.



### Adult Supervision

This product is to be used under the supervision of an adult.



### No Maintenance

This product does NOT require maintenance. Repairs should only be performed by authorized personnel. Please contact customer service if repairs are required.



### Climb Hazard

Do not climb on, hang from or suspend objects from any components of your product unless otherwise specified.



### Indoor Use Only

This product is intended for indoor commercial use only. To reduce the risk of fire or electric shock, do not expose this product to rain or moisture. The internal components are not sealed from the environment.



### Do Not Use Power Tools

This product is not intended to be assembled with the use of power tools. Please use specified hand tools only, failure to do so may result in damage to the product.



# Bamboo Maintenance

When needed, wipe down with mild soapy water. A mild disinfectant can be used. A mild bleach water solution (1:50) can also be used. Wipe cleaning solution off after application.

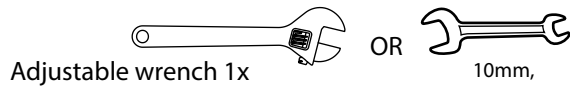
Recommended cleaning frequency is once monthly, and at minimum, once per school year.

DO NOT leave standing water or cleaning solutions on the bamboo surface.  
DO NOT use harsh chemicals to clean surfaces.

# Parts

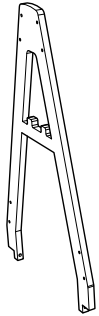
## Before beginning, you should have:

Additional tools required:

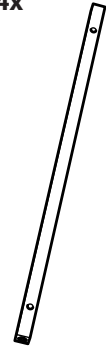


BPC01-0

Side frame  
2x

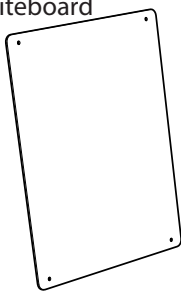


Whiteboard stretcher  
4x



In Box

Whiteboard  
2x



Hardware  
Actual Size

(A) M7 x 38 Self Tapping Screw  
8x



(B) M6 x 30mm Screw  
12x



(C) M6 x 15mm Screw  
8x



(D) M6 x 15mm  
Shoulder Bolt  
4x



(E) M6 Lock  
Washer  
8x



(F) M6 Flat  
Washer  
8x



(G) M6 Lock  
Nut  
12x

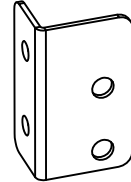


(H) M6 Nut  
4x



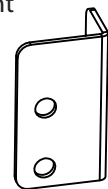
Paint Pot Tray Bracket  
Left  
2x

(I)

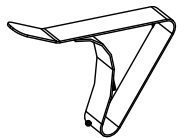


Paint Pot Tray Bracket  
Right  
2x

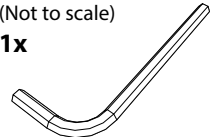
(J)



Paint Clip  
8x

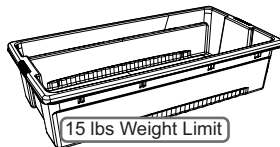


Allen Key  
(Not to scale)  
1x

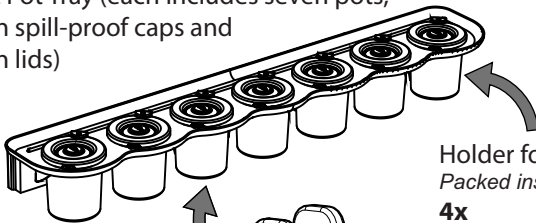


PDR11-CB (Comes with BPC01)

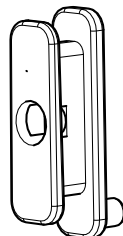
Really Big Tub  
1x  
(CC4073-B)



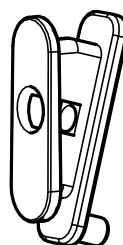
Paint Pot Tray (each includes seven pots,  
seven spill-proof caps and  
seven lids)  
2x



Holder for Low Position  
Packed inside one pot  
4x

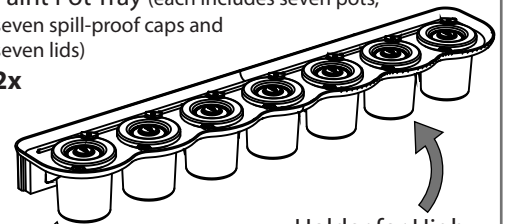


Holder for High Position  
Packed inside one pot  
4x

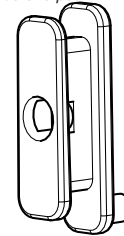


PDR05-CB (Comes with BPC02)

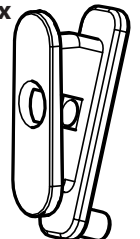
Paint Pot Tray (each includes seven pots,  
seven spill-proof caps and  
seven lids)  
2x



Holder for Low Position  
Packed inside one pot  
4x

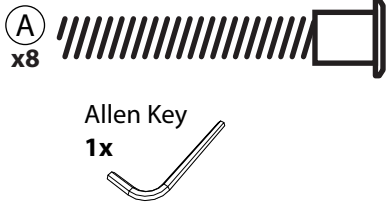


Holder for High  
Position  
Packed inside one pot  
4x

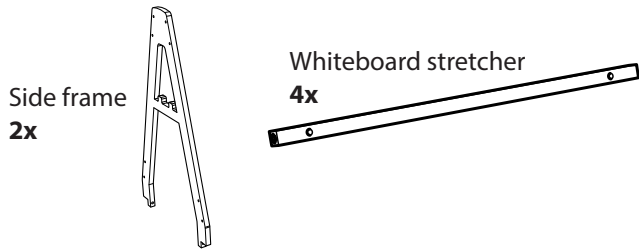


1

Actual Size:



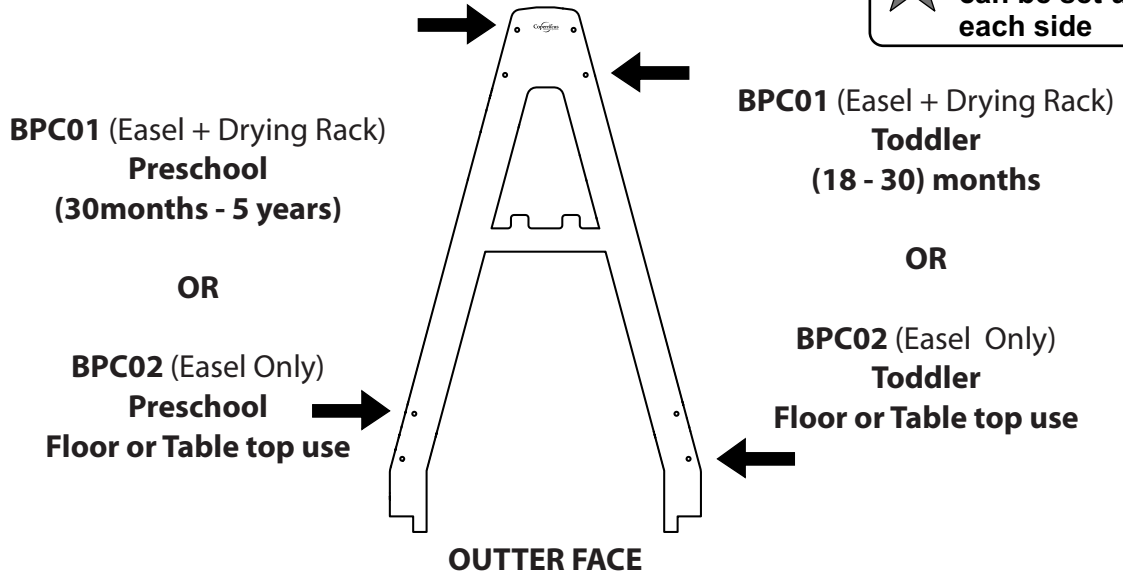
You will need: (Not to Scale)



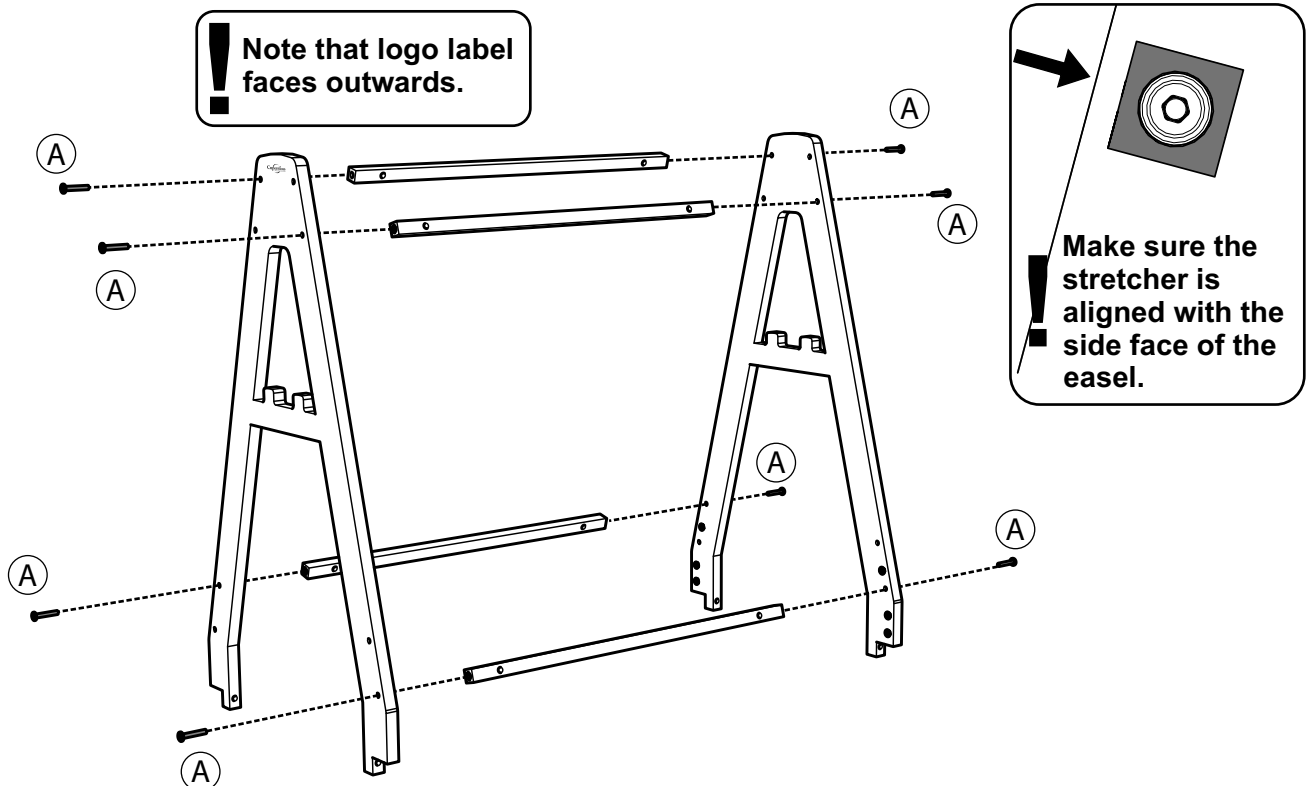
### Assemble the easel frame

1 Determine which age range you would like to set your easel up for.

★ Different height configurations can be set up on each side

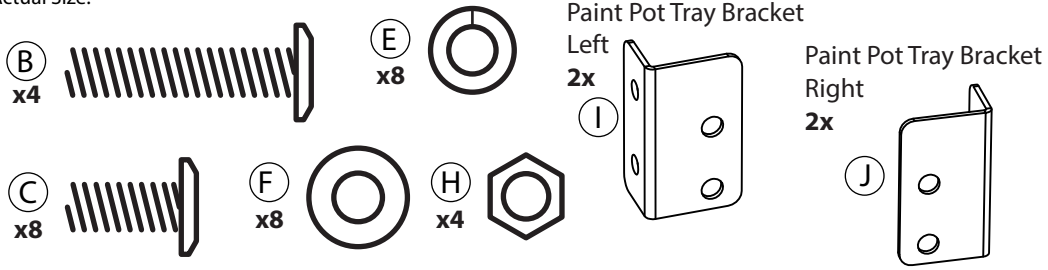


2 Attach the whiteboard stretchers to the side panel

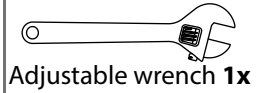


2

Actual Size:

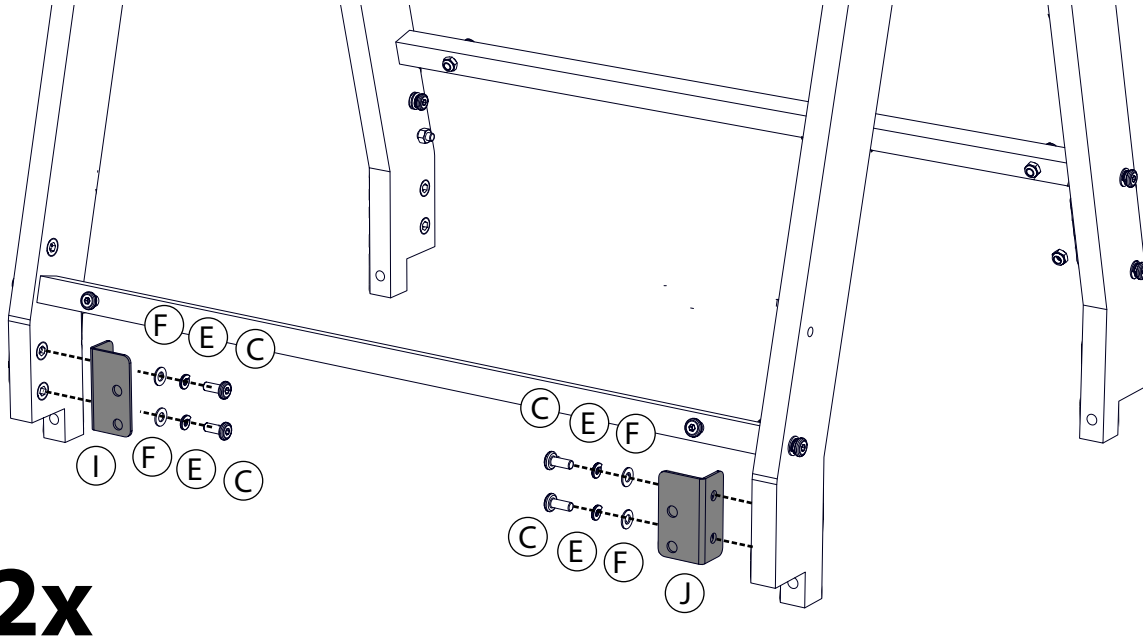


You will need: (Not to Scale)



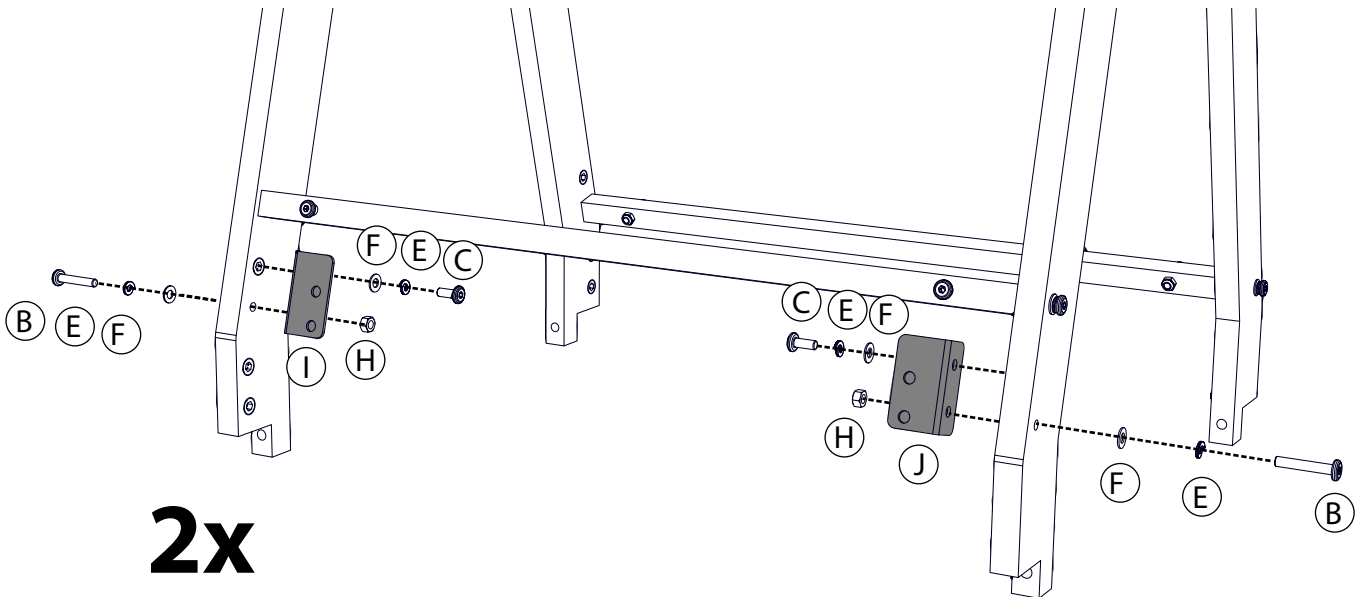
### Attach metal paint tray brackets to both side of easel

#### Toddler Configuration



OR

#### Preschool Configuration



3

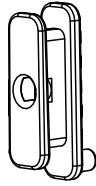
Actual Size:



You will need: (Not to Scale)

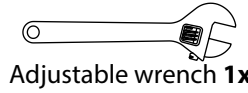
Holder for Low Position  
Packed inside one pot

4x



Holder for High Position  
Packed inside one pot

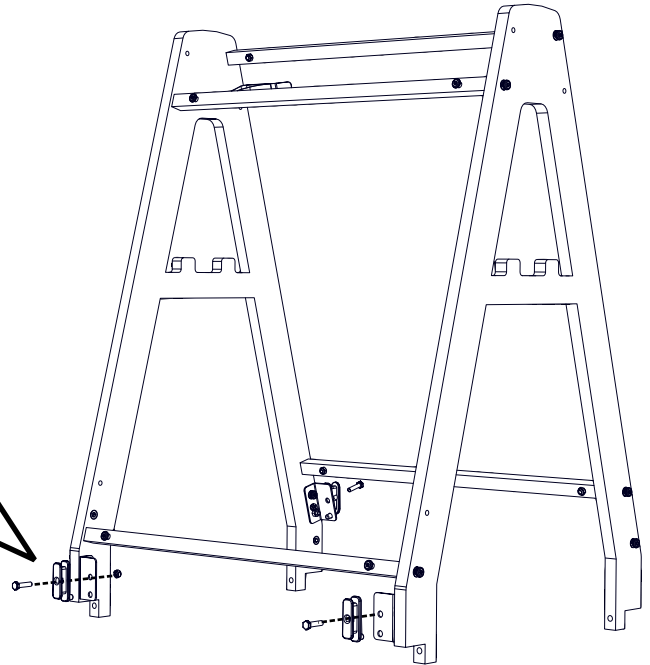
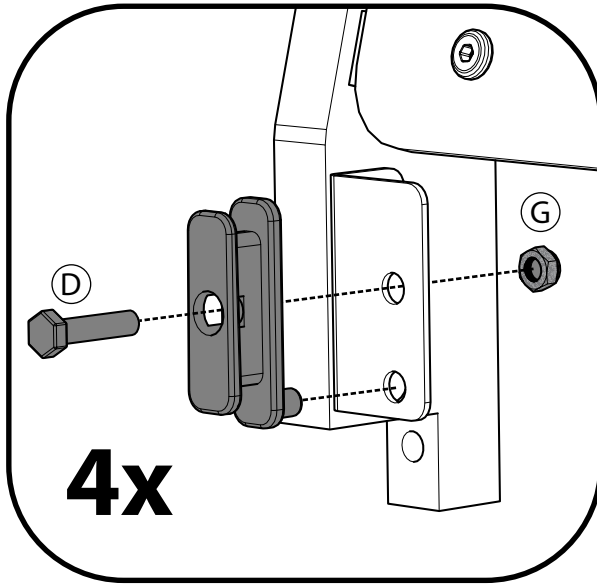
4x



Adjustable wrench 1x

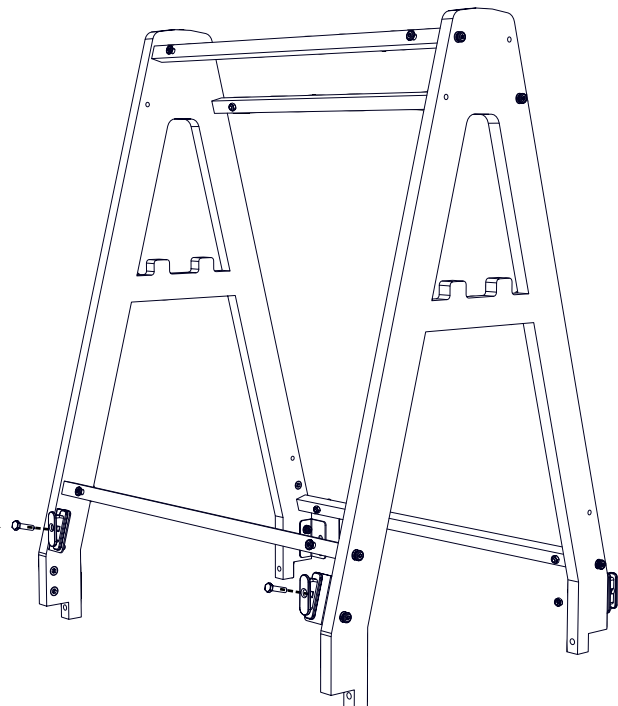
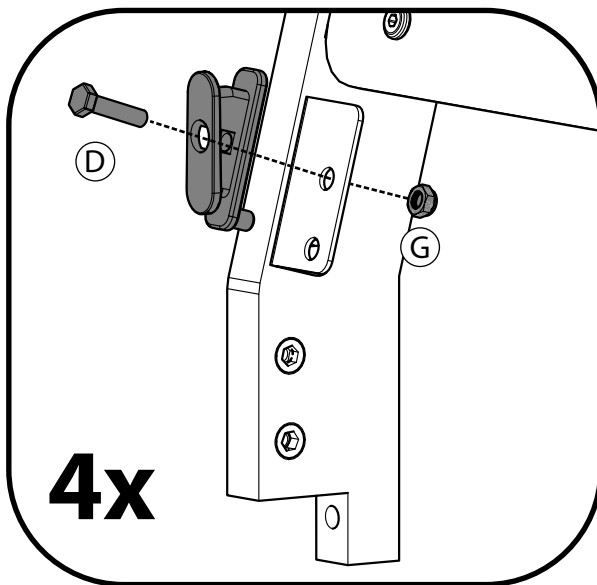
### Attach paint tray brackets

#### Toddler Configuration



OR

#### Preschool Configuration



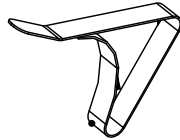
4

Actual Size:

(B)  
x8



Paint Clip  
8x

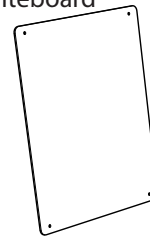


(G)  
x8



You will need: (Not to Scale)

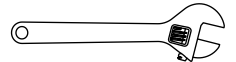
Whiteboard  
2x



Allen Key  
1x

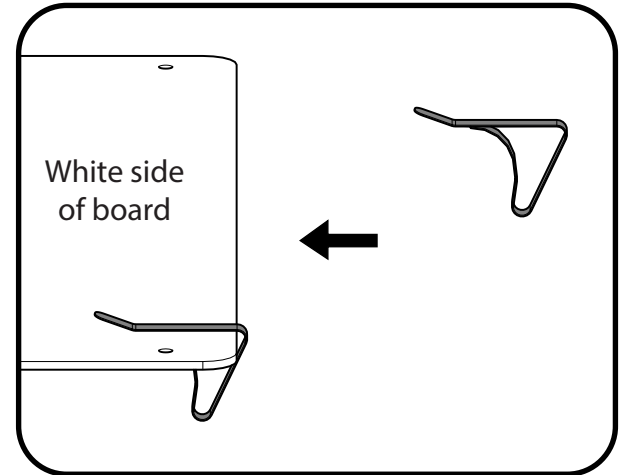
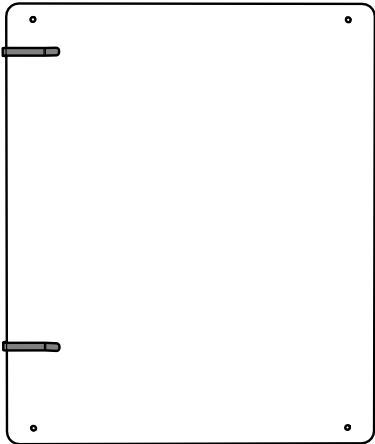


Adjustable wrench 1x



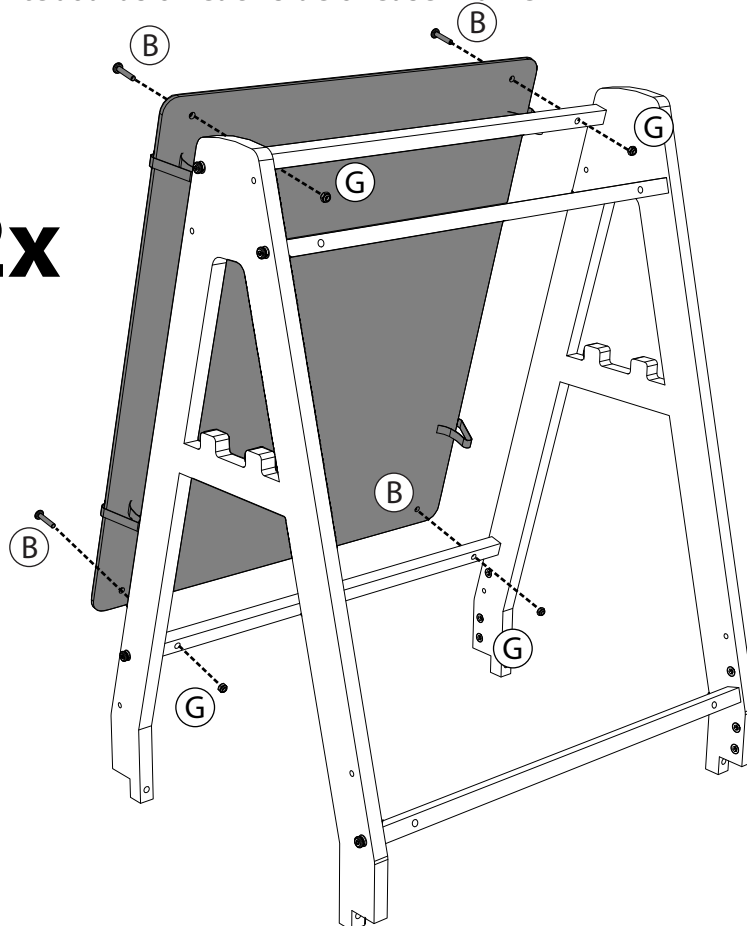
## Attach whiteboards to frame

1 Put the paint clips on the sides of your board



2 Attach the whiteboards on each side of easel frame

2x

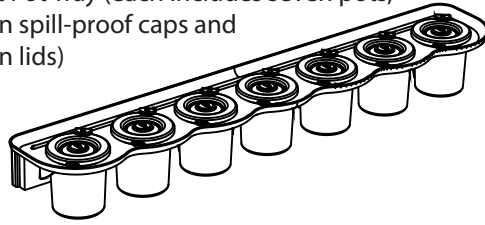




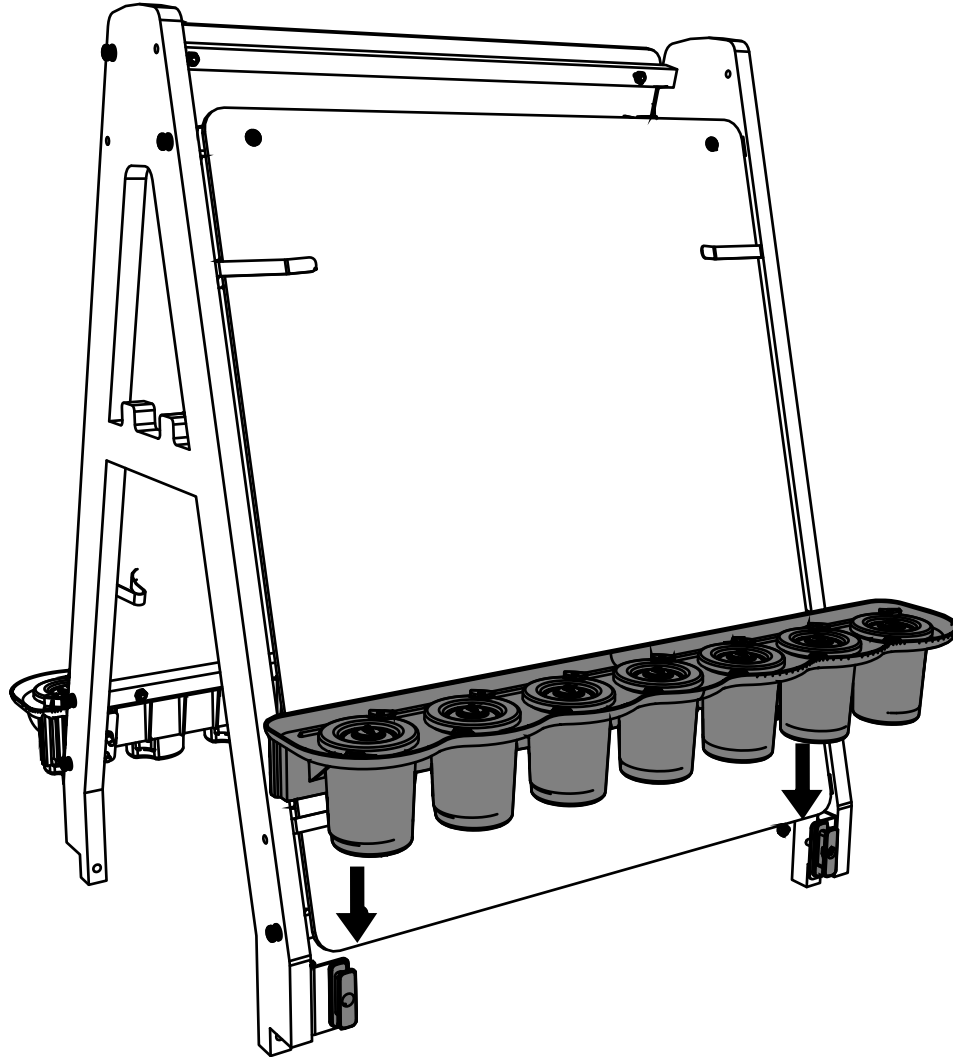
# 5

You will need: (Not to Scale)

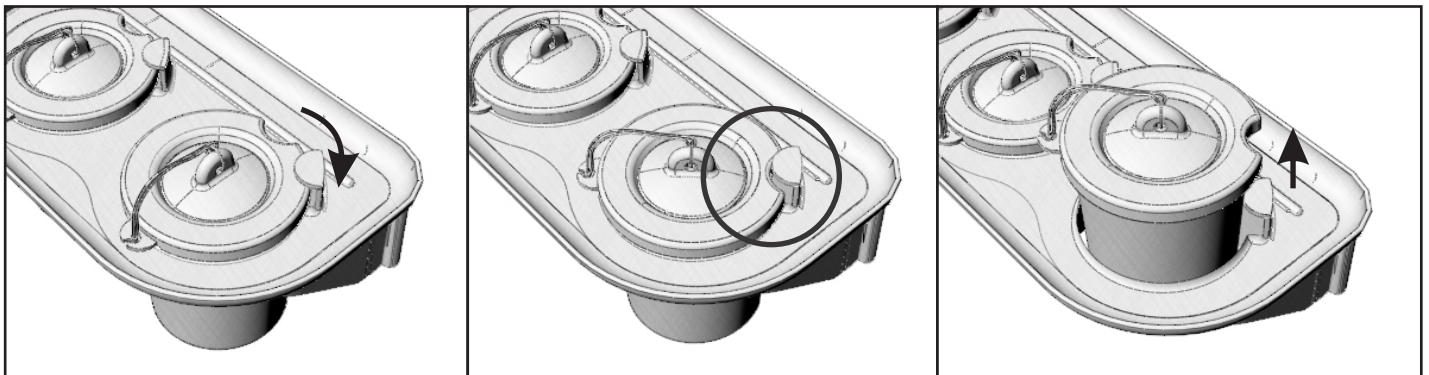
Paint Pot Tray (each includes seven pots, seven spill-proof caps and seven lids)  
2x



## Attach paint pot trays



## How to remove Pots from Paint Tray



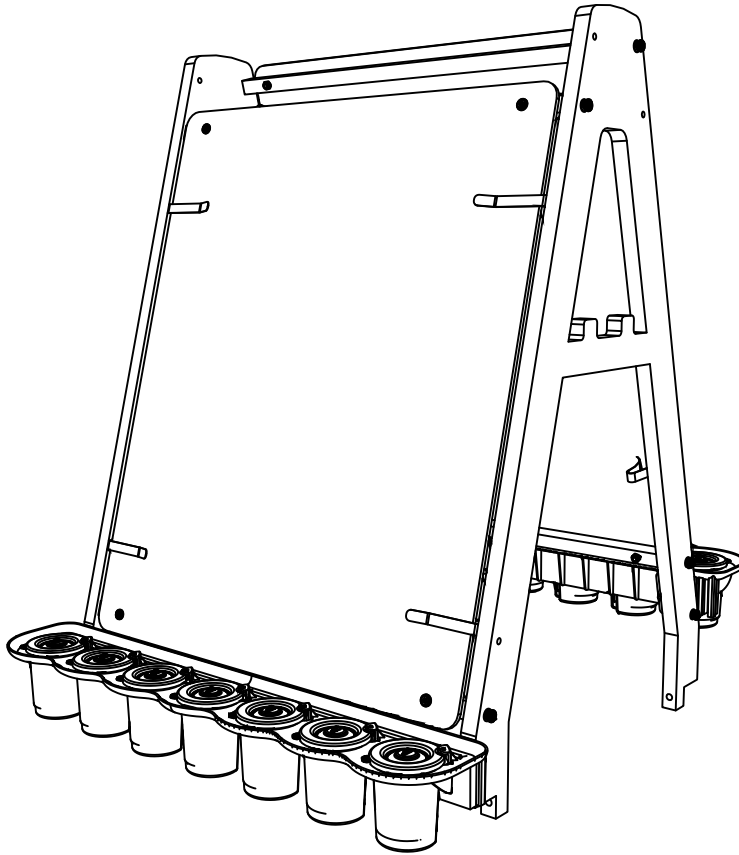
6

You will need: (Not to Scale)

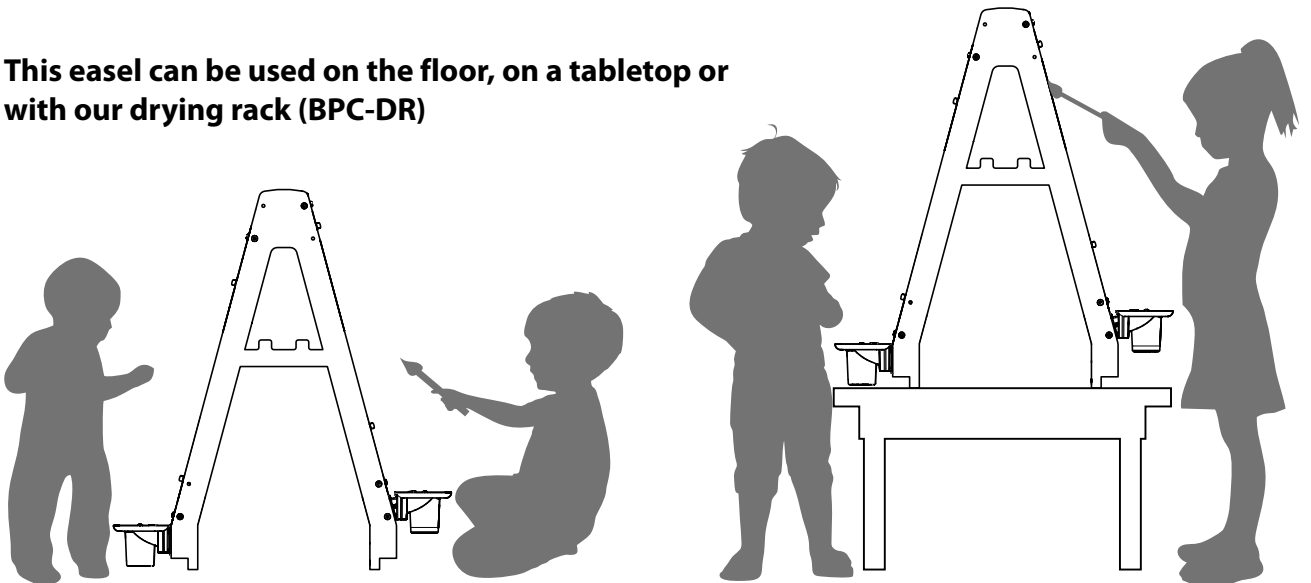


## Final Assembly Checks

Check entire assembly for loose parts; tighten all bolts, screws and nuts



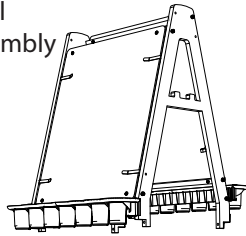
This easel can be used on the floor, on a tabletop or with our drying rack (BPC-DR)



You will need: (Not to Scale)

BPC01  
ONLY

Easel  
Assembly  
1x

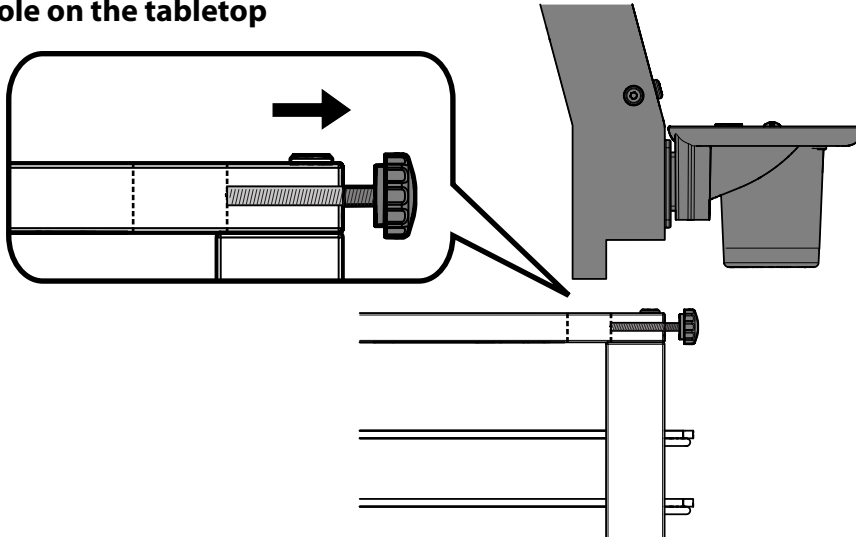


Drying Rack Assembly  
BPC-DR  
1x

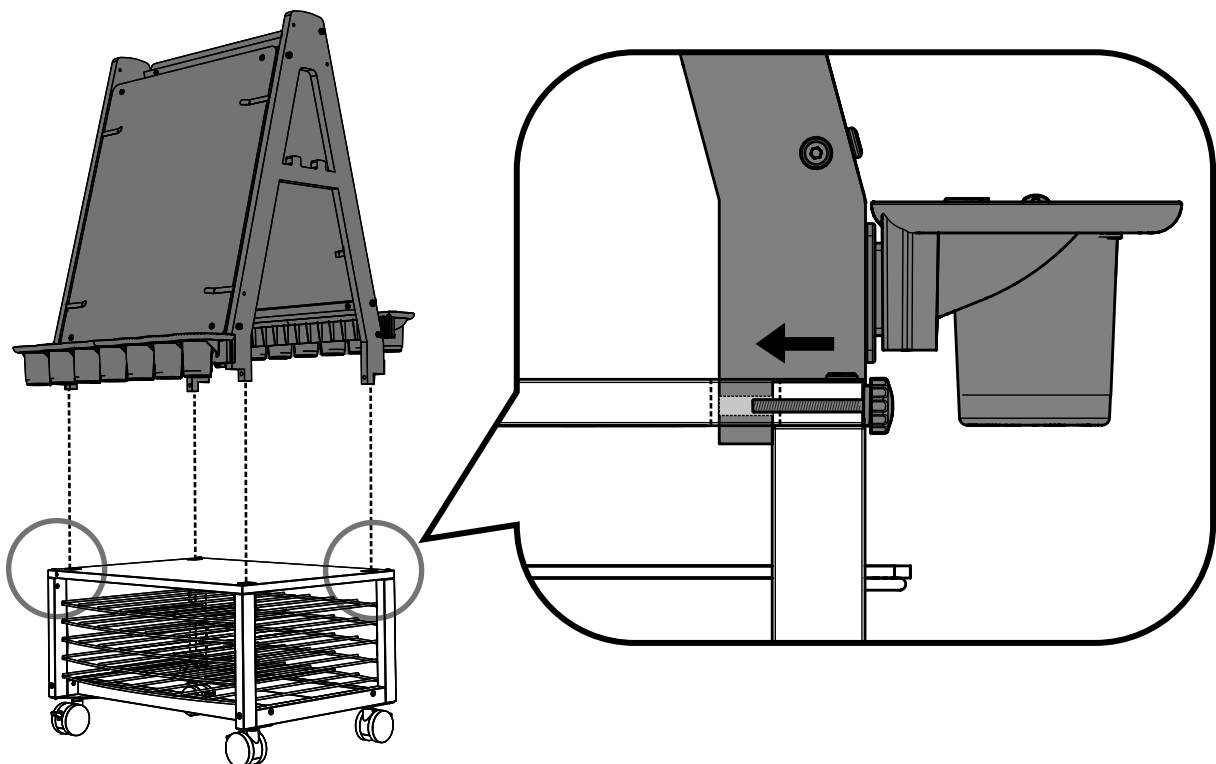


## Attach Paint Easel to Drying Rack

- 1 Loosen the threaded knob on the drying rack until there are no visible threads through the hole on the tabletop



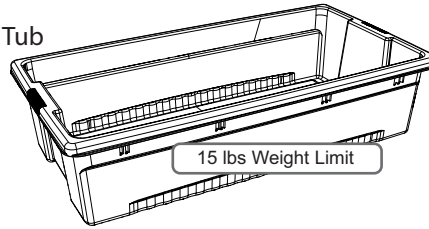
- 2 Insert the Paint Easel feet into the 4 holes on the top of the drying rack. Then tighten both threaded knobs located on opposite sides of the easel.



**BPC01  
ONLY**

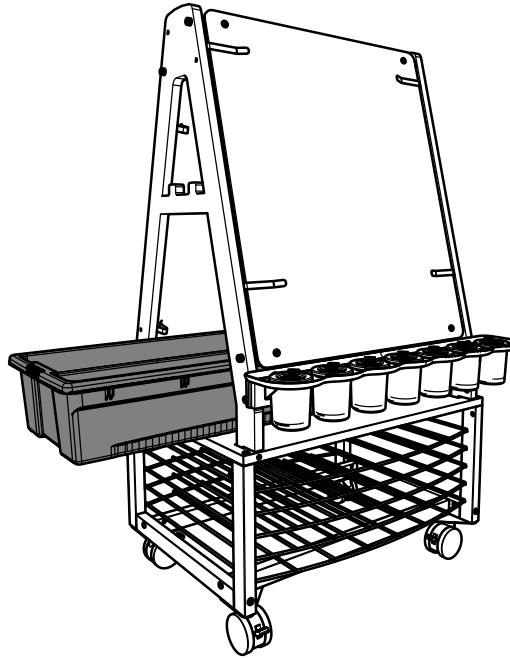
You will need: (Not to Scale)

Really Big Tub  
**1x**  
(CC4073-B)



## Attach Paint Easel to Drying Rack

**3** Insert really big tub



**4** Enjoy!

