

Chart Caddy Stand



Educational Products Inc.

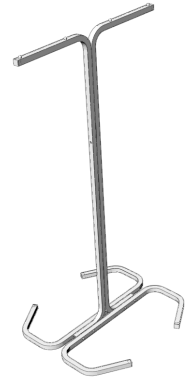
...making teaching a little easier

If parts are missing or you experience problems, please call:

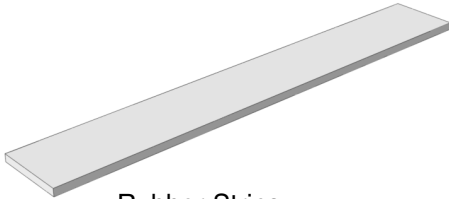
1-800-267-8494

Have your packing slip ready for reference

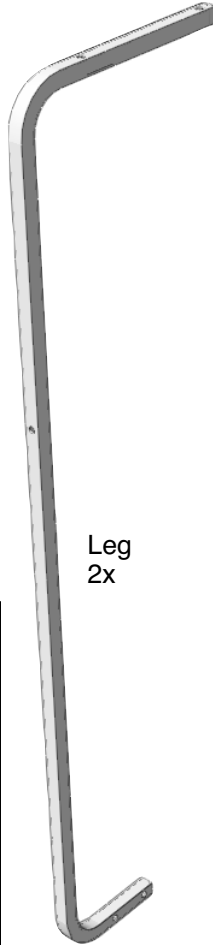
or email info@copernicused.com



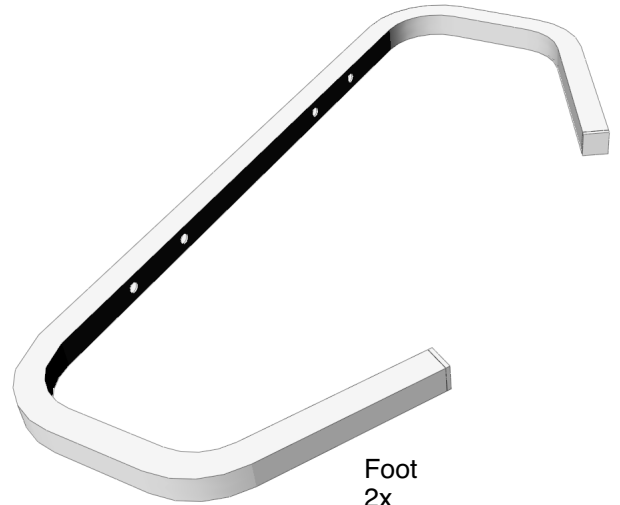
Contents of Box 1



Rubber Strips
4x

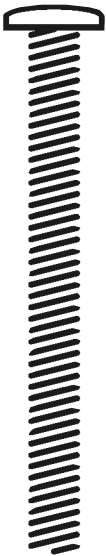


Leg
2x



Foot
2x

ACTUAL SIZE



2-1/2"
Bolt
4x



2" Bolt
1x



1/4" Nut
5x



Split Lock
Washer
5x

Contents of Box 2 (CD408 only)

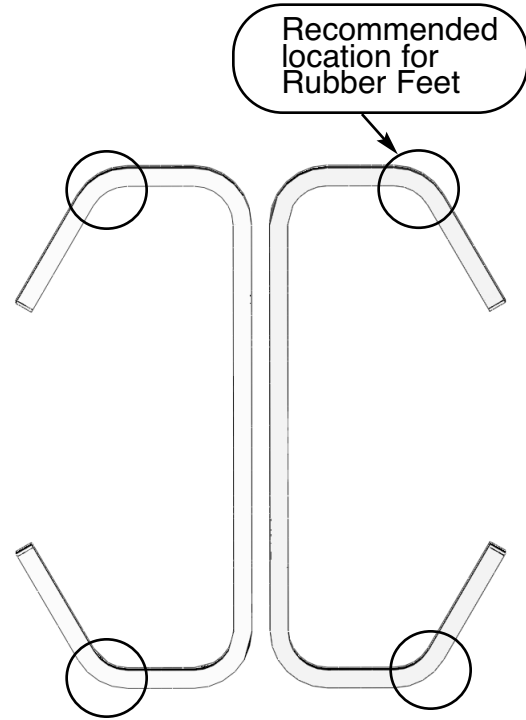
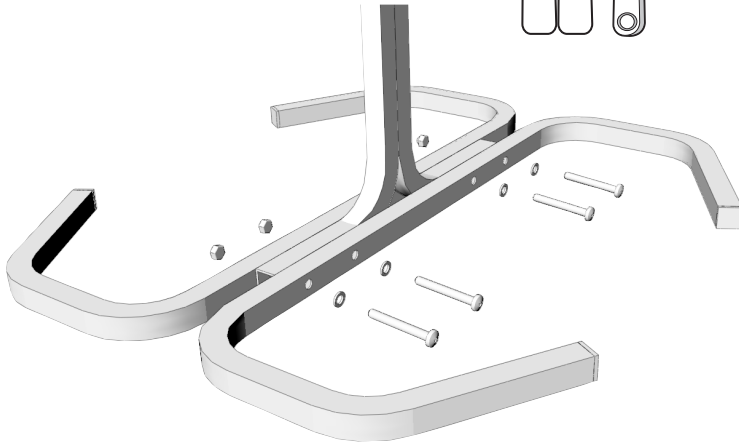
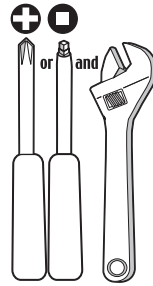


Chart Caddy™
1 package of 10

NOTE: Do not tighten any fasteners until the unit is fully assembled.

Tools required:

Robertson or Phillips screw driver & an adjustable wrench.



1 Fasten Feet to Legs

- place Feet on the floor
- align bolt holes of Leg between two feet
- fasten with two 2-1/2" bolts, lock washers & nuts
- hand tighten only
- repeat for other Leg

4 Place the Rubber Strip on Bottom of Feet

- lay the assembled stand on it's side
- place adhesive Rubber Strips on the outside four corners of the feet



5 The Stand is Ready to Use

- place Chart Caddys between the rubber stops

2 Secure Legs

- align holes on Legs
- fasten together with one 2" bolt, lock washer & nut
- hand tighten only

3 Tighten all Fasteners

- 5 in total

If you think education is expensive, try ignorance.

DEREK BOK

Quality schools are the result of quality teachers going above and beyond the call of duty.

VICKI CARUANA

Nothing has a better effect upon children than praise.

SIR PHILIP SIDNEY